



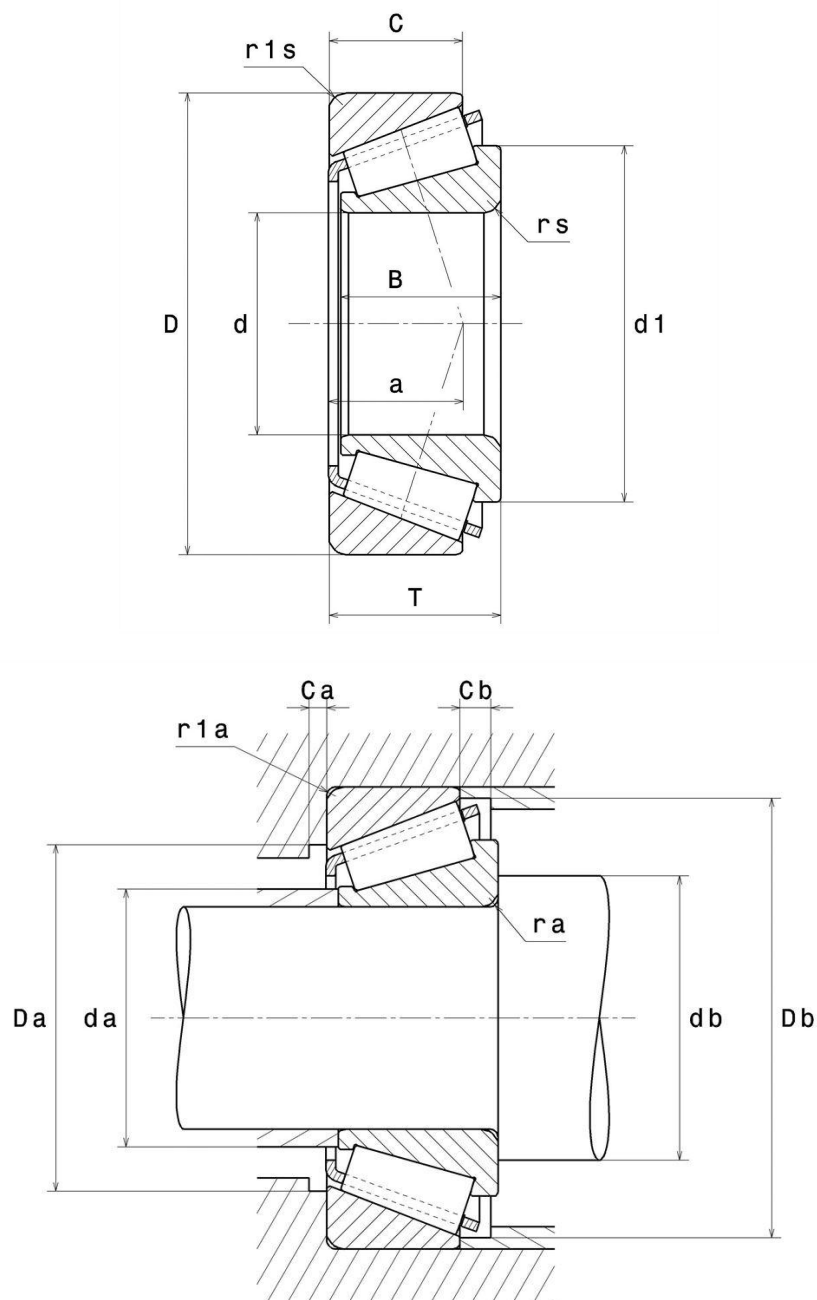
Technical data

32221U

Single row tapered roller bearings

Tapered roller bearing, pressed steel cage

VISUAL (S)



32221U

Single row tapered roller bearings

PRODUCT DIMENSIONS

Internal diameter d	105 mm
External diameter D	190 mm
Bearing/Inner ring width(B)	50 mm
Outer ring width (C)	43 mm
Total width (T)	53 mm
Charge load application point a	44 mm
Min fillet radius rs	2,5 mm
Min fillet radius r1s	2 mm
Coef e	0.42
Upper axial load coef (Y2)	1.43
Static axial load coef (Y0)	0.79
Mass	6,23 kg
ISO 355 reference	T3FC105
Brand	NTN

PRODUCT PERFORMANCE

Dynamic load, C	420 kN
Rating life coefficient, A2	1.0
Static load, C0	540 kN
Fatigue limit load, Cu	59 kN
Nlim (oil)	2500 tr/min
Nlim (grease)	1900 tr/min
Min operating temperature, Tmin	-40 °C
Max operating temperature, Tmax	120 °C

ABUTMENT

Max shoulder diameter IR da max	119 mm
Min IR shoulder diameter (db min)	119 mm
Max shoulder diameter OR Da max	178 mm
Min OR shoulder diameter Db min	180 mm
Max fillet radius ra max	2,5 mm
Maxi fillet radius r1a	2 mm

INDUSTRY CALCUL FACTORS

Equivalent dynamic radial load

$$P = X.F_r + Y.F_a$$

$F_a / F_r \leq e$		$F_a / F_r > e$	
X	Y	X	Y
1	0	0.4	Y ₂

Equivalent static radial load

$$P_0 = X_0.F_r + Y_0.F_a$$

X_0	Y_0
0.5	Y ₀

If $P_0 < F_r$, then use $P_0 = F_r$

The values for e, Y₂ and Y₀ are shown in the above table