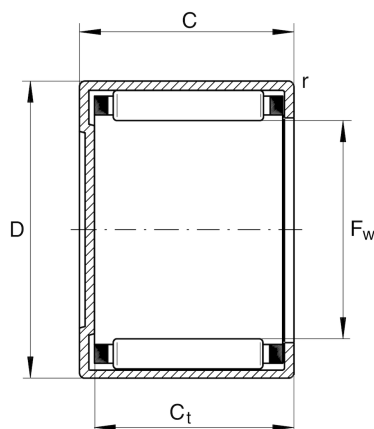
**BK4020**

Drawn cup needle roller bearing closed end

Schaeffler ID:  
0002453560000Drawn cup needle roller bearings with  
closed end BK, to DIN 618/ISO 3245

## Technical information

**Main Dimensions & Performance Data**

$F_w$	40 mm	Under roller diameter
$D$	47 mm	Outside diameter
$C$	20 mm	Width, outer ring
$C_r$	25.500 N	Basic dynamic load rating, radial
$C_{0r}$	52.000 N	Basic static load rating, radial
$C_{ur}$	6.900 N	Fatigue load limit, radial
$n_G$	6.600 1/min	Limiting speed
$n_{G \text{ Grease}}$	3.950 1/min	Limiting speed for grease lubrication
$n_{gr}$	4.900 1/min	Reference speed
	62 g	Weight

**Additional information**

$r_{\min}$	0,8 mm	Minimum chamfer dimension
	SD40X47X4	Sealing ring
$C_{t \min}$	17,3 mm	Minimum width to base of drawn cup with closed end
	G40X47X4	Sealing ring 2
	LR35X40X20,5	Suitable inner rings LR
	IR35X40X20-XL	Suitable inner rings IR

**Temperature range**

$T_{\min}$	-30 °C	Operating temperature min.
$T_{\max}$	140 °C	Operating temperature max.