

FAG

★ B71904-E-T-P4S-UL

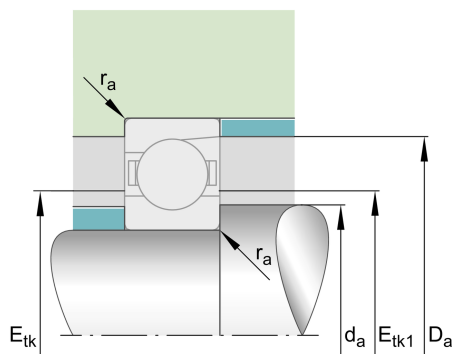
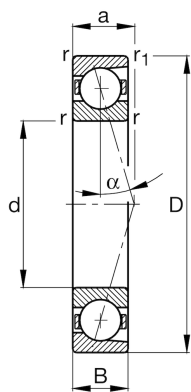
Spindle bearing

Schaeffler ID:
0191535460000

Spindle bearing B719...-E-T-P4S, with steel balls

★ Preferred product

Technical information

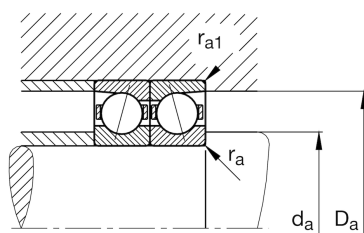


Main Dimensions & Performance Data

d	20 mm	Bore diameter
D	37 mm	Outside diameter
B	9 mm	Width
C_r	7.000 N	Basic dynamic load rating, radial
C_{0r}	3.050 N	Basic static load rating, radial
C_{ur}	325 N	Fatigue load limit, radial
$n_{G \text{ Grease}}$	38.000 1/min	Limiting speed for grease lubrication
$n_{G \text{ Oil}}$	60.000 1/min	Limiting speed for oil lubrication
	0,04 kg	Weight

Additional information

r_{\min}	0,3 mm	Minimum chamfer dimension
F_{VL}	37 N	Preload force light
$r_{1 \min}$	0,3 mm	Minimum chamfer dimension
F_{VM}	170 N	Preload force medium
α	25 °	Contact angle
F_{VH}	384 N	Preload force heavy
K_{aEL}	108 N	Lift-off force light
K_{aEM}	516 N	Lift-off force medium
K_{aEH}	1.208 N	Lift-off force heavy
c_{aL}	46,7 N/ μm	Axial rigidity light
c_{aM}	83,3 N/ μm	Axial rigidity medium
c_{aH}	117 N/ μm	Axial rigidity heavy



Mounting dimensions

d_a	24 mm	Diameter shaft shoulder
d_a	h12	Diameter shaft shoulder clearance
D_a	33,5 mm	Shoulder diameter outer ring
D_a	H12	Shoulder diameter outer ring clearance
$r_{a \max}$	0,3 mm	Maximum recess radius
$r_{a1 \max}$	0,15 mm	Maximum recess radius
$E_{tk \min}$	26 mm	Minimum diameter injection pitch
$E_{tk \max}$	27,1 mm	Maximum diameter injection pitch
$E_{tk1 \min}$	26 mm	Minimum diameter injection pitch
$E_{tk1 \max}$	27,1 mm	Maximum diameter injection pitch
a	11,1 mm	Distance between the apexes of the pressure cones

Temperature range

T_{\min}	-30 °C	Operating temperature min.
T_{\max}	100 °C	Operating temperature max.