

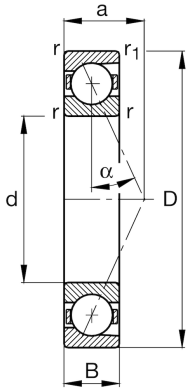
FAG

B7009-E-T-P4S-UL

Spindle bearing

Schaeffler ID:
0190035520000Spindle bearings B70...-E, adjusted, in pairs or sets, contact angle $\alpha = 25^\circ$, restricted tolerances

Technical information

**Main Dimensions & Performance Data**

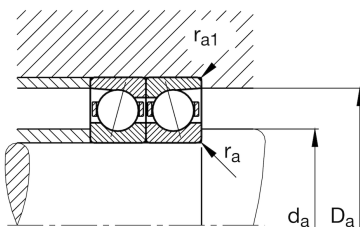
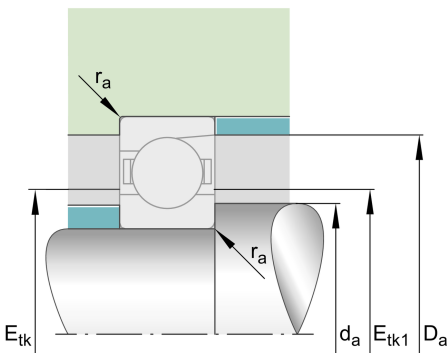
d	45 mm	Bore diameter
D	75 mm	Outside diameter
B	16 mm	Width
C_r	26.500 N	Basic dynamic load rating, radial
C_{0r}	14.200 N	Basic static load rating, radial
C_{ur}	1.500 N	Fatigue load limit, radial
$n_{G \text{ Grease}}$	17.000 1/min	Limiting speed for grease lubrication
$n_{G \text{ Oil}}$	26.000 1/min	Limiting speed for oil lubrication
	0,232 kg	Weight

Dimensions

r_{\min}	1 mm	Minimum chamfer dimension
$r_{1 \min}$	1 mm	Minimum chamfer dimension
α	25°	Contact angle

Mounting dimensions

d_a	51 mm	Diameter shaft shoulder
d_a	h12	Diameter shaft shoulder clearance
D_a	69 mm	Shoulder diameter outer ring
D_a	H12	Shoulder diameter outer ring clearance
$r_{a \max}$	1 mm	Maximum recess radius
$r_{a1 \max}$	0,3 mm	Maximum recess radius
$E_{tk \min}$	54,3 mm	Minimum diameter injection pitch
$E_{tk \max}$	57,3 mm	Maximum diameter injection pitch
$E_{tk1 \min}$	54,3 mm	Minimum diameter injection pitch
$E_{tk1 \max}$	57,3 mm	Maximum diameter injection pitch
a	22 mm	Distance between the apexes of the pressure cones



Temperature range

F_{VL}	208 N	Preload force light
T_{min}	-30 °C	Operating temperature min.
F_{VM}	763 N	Preload force medium
T_{max}	100 °C	Operating temperature max.
F_{VH}	1.622 N	Preload force heavy
K_{aEL}	606 N	Lift-off force light
K_{aEM}	2.308 N	Lift-off force medium
K_{aEH}	5.082 N	Lift-off force heavy
c_{aL}	115 N/μm	Axial rigidity light
c_{aM}	189 N/μm	Axial rigidity medium
c_{aH}	259 N/μm	Axial rigidity heavy