


NTN BEARING CORPORATION OF AMERICA

Head Office

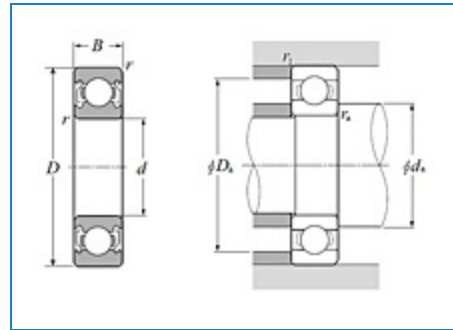
1600 E. Bishop Court, P.O. Box 7604

Mount Prospect, IL 60056-7604, U.S.A.

Phone: 847-298-7500

Fax: 847-699-9744

Toll Free: 800-323-2358

Email: mkt@ntnamerica.com
Website: www.ntnamericas.com
Item # 63212ZZC3/EM, Single Row Radial Ball Bearing - Double Shielded

[Order Now](#) | [Technical Specifications](#) | [Dimensional Specifications](#)
Order Now
Ordering Options

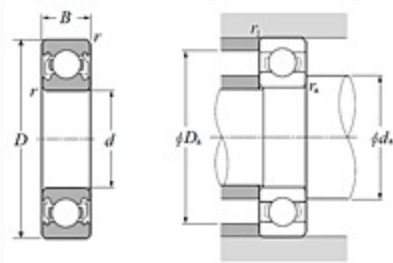
[Order Online through NTN DOL](#)
[Contact NTN Customer Relations](#)
[Search for a Licensed Distributor](#)

Technical Specifications

Type	Deep Groove Ball Bearing
Bore Type	Round
Material	High Carbon Chrome Steel
Cage Type	Pressed

Cage Material	Steel
Ball Material	Steel
Limiting Speed - Grease	6000 RPM
Seal Type	None
Seal Material	None
Precision	ISO Class 0
Configuration	One
Factor	13.2
Radial Internal Clearance	C3
Static Load Rating	11700 lbf 52000 N 52.00 kN
Dynamic Load Rating	18400 lbf 82000 N 82.00 kN
Enclosure	Double Shielded
Operating Temperature Range	-40 to 250 °F -40 to 120 °C

Dimensional Specifications



Single Row Radial Ball Bearing - Double Shielded - Dimensions

d	2.3622 in 60.000 mm
D	4.3307 in 110.000 mm

B	1.4370 in 36.500 mm
----------	------------------------

r	0.0984 in 2.500 mm
----------	-----------------------