



FAG

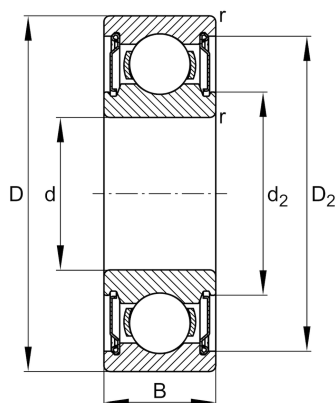
6309-H-2Z-SN-C3

Deep groove ball bearing

Schaeffler ID:
0940213410030

Deep groove ball bearing 63..-H-2Z, single row, H-Series, shields, steel sheet metal cage

Technical information

**Main Dimensions & Performance Data**

d	45 mm	Bore diameter
D	100 mm	Outside diameter
B	25 mm	Width
C_r	48.890 N	Basic dynamic load rating, radial
C_{0r}	29.560 N	Basic static load rating, radial
C_{ur}	1.730 N	Fatigue load limit, radial
n_G	8.100 1/min	Limiting speed
n_{gr}	8.100 1/min	Reference speed
	0,798 kg	Weight

Mounting dimensions

$d_{a \min}$	54 mm	Minimum diameter shaft shoulder
$D_{a \max}$	91 mm	Maximum diameter of housing shoulder
$r_{a \max}$	1,5 mm	Maximum fillet radius

Dimensions

r_{\min}	1,5 mm	Minimum chamfer dimension
D_2	87,7 mm	Caliber diameter outer ring
d_2	58,8 mm	Caliber diameter inner ring

Temperature range

T_{\min}	-20 °C	Operating temperature min.
T_{\max}	120 °C	Operating temperature max.

Calculation factors

f_0	13,3	Calculation factor
-------	------	--------------------

