

FAG

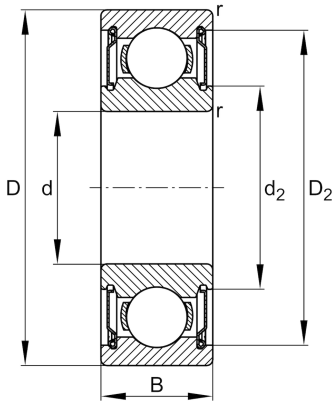
6307-H-2Z

Deep groove ball bearing

Schaeffler ID:
0938688040000

Deep groove ball bearing 63..-H-2Z, single row, H-Series, shields, steel sheet metal cage

Technical information

**Main Dimensions & Performance Data**

d	35 mm	Bore diameter
D	80 mm	Outside diameter
B	21 mm	Width
C_r	33.390 N	Basic dynamic load rating, radial
C_{0r}	19.290 N	Basic static load rating, radial
C_{ur}	1.150 N	Fatigue load limit, radial
n_G	10.300 1/min	Limiting speed
n_{gr}	9.500 1/min	Reference speed
	0,481 kg	Weight

Dimensions

r_{min}	1,5 mm	Minimum chamfer dimension
D_2	69,9 mm	Caliber diameter outer ring
d_2	47,1 mm	Caliber diameter inner ring

Mounting dimensions

$d_{a min}$	44 mm	Minimum diameter shaft shoulder
$D_{a max}$	71 mm	Maximum diameter of housing shoulder
$r_{a max}$	1,5 mm	Maximum fillet radius

Temperature range

f_0	13,2	Calculation factor
T_{min}	-20 °C	Operating temperature min.
T_{max}	120 °C	Operating temperature max.

