

FAG

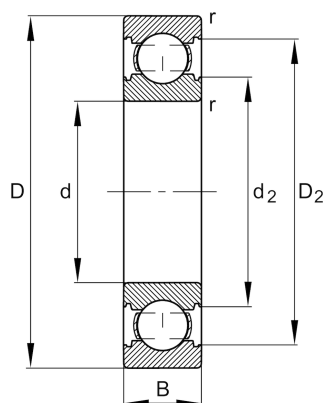
6307-C

Deep groove ball bearing

Schaeffler ID:
0791680270000

Deep groove ball bearing 63...-C, single row, Generation C, steel sheet metal cage

Technical information

**Main Dimensions & Performance Data**

d	35 mm	Bore diameter
D	80 mm	Outside diameter
B	21 mm	Width
C_r	37.000 N	Basic dynamic load rating, radial
C_{0r}	19.100 N	Basic static load rating, radial
C_{ur}	1.330 N	Fatigue load limit, radial
n_G	13.600 1/min	Limiting speed
n_{gr}	10.900 1/min	Reference speed
	0,471 kg	Weight

Dimensions

r_{min}	1,5 mm	Minimum chamfer dimension
D_2	69,8 mm	Caliber diameter outer ring
d_2	46 mm	Caliber diameter inner ring

Mounting dimensions

d_{amin}	44 mm	Minimum diameter shaft shoulder
D_{amax}	71 mm	Maximum diameter of housing shoulder
r_{amax}	1,5 mm	Maximum fillet radius

Temperature range

f_0	13,1	Calculation factor
T_{min}	-30 °C	Operating temperature min.
T_{max}	120 °C	Operating temperature max.

