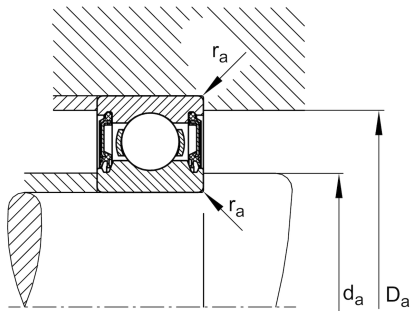
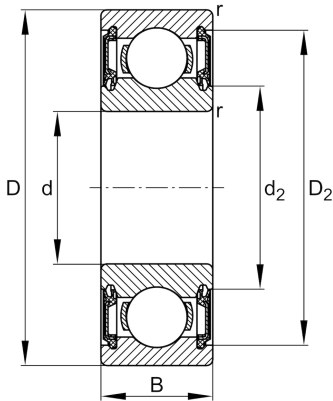
**FAG****6306-H-2RSR**

Deep groove ball bearing

Schaeffler ID:
0938689600000Deep groove ball bearing 63..-H-2RSR,
single row, H-Series, seals, steel sheet
metal cage

Technical information

**Temperature range**

T_{\min}	-20 °C	Operating temperature min.
T_{\max}	110 °C	Operating temperature max.
	0,349 kg	Weight

Main Dimensions & Performance Data

d	30 mm	Bore diameter
D	72 mm	Outside diameter
B	19 mm	Width
C_r	27.030 N	Basic dynamic load rating, radial
C_{0r}	15.260 N	Basic static load rating, radial
C_{ur}	890 N	Fatigue load limit, radial
n_G	6.100 1/min	Limiting speed

Dimensions

r_{\min}	1,1 mm	Minimum chamfer dimension
D_2	62,5 mm	Caliber diameter outer ring
d_2	41,7 mm	Caliber diameter inner ring

Mounting dimensions

$d_{a\min}$	37 mm	Minimum diameter shaft shoulder
$D_{a\max}$	65 mm	Maximum diameter of housing shoulder
$r_{a\max}$	1,1 mm	Maximum fillet radius

Calculation factors

f_0	13,2	Calculation factor
-------	------	--------------------