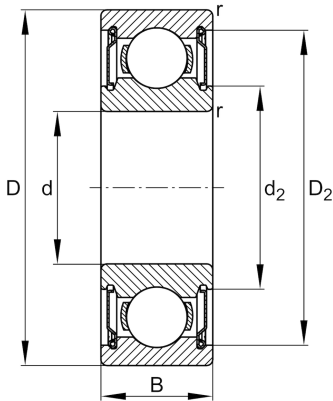
**FAG****6300-H-2Z**

Deep groove ball bearing

Schaeffler ID:
0937890330000

Deep groove ball bearing 63..-H-2Z, single row, H-Series, shields, steel sheet metal cage

Technical information

**Main Dimensions & Performance Data**

d	10 mm	Bore diameter
D	35 mm	Outside diameter
B	11 mm	Width
C_r	7.650 N	Basic dynamic load rating, radial
C_{0r}	3.470 N	Basic static load rating, radial
C_{ur}	199 N	Fatigue load limit, radial
n_G	26.500 1/min	Limiting speed
n_{gr}	19.500 1/min	Reference speed
	0,057 kg	Weight

Dimensions

r_{min}	0,6 mm	Minimum chamfer dimension
D_2	29,4 mm	Caliber diameter outer ring
d_2	17,8 mm	Caliber diameter inner ring

Mounting dimensions

$d_{a min}$	14,2 mm	Minimum diameter shaft shoulder
$D_{a max}$	30,8 mm	Maximum diameter of housing shoulder
$r_{a max}$	0,6 mm	Maximum fillet radius

Calculation factors

f_0	12,3	Calculation factor
-------	------	--------------------

Temperature range

T_{min}	-20 °C	Operating temperature min.
T_{max}	120 °C	Operating temperature max.

