

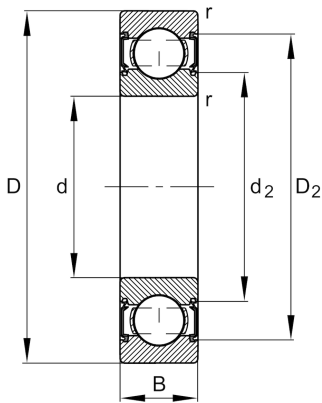
FAG

629-C-2HRS

Deep groove ball bearing

Schaeffler ID:
0623870570000Deep groove ball bearing 62...-C-2HRS,
single row, cf. DIN 625-1

Technical information

**Main Dimensions & Performance Data**

d	9 mm	Bore diameter
D	26 mm	Outside diameter
B	8 mm	Width
r_{\min}	0,3 mm	Minimum chamfer dimension
C_r	5.000 N	Basic dynamic load rating, radial
C_{0r}	1.970 N	Basic static load rating, radial
C_{ur}	137 N	Fatigue load limit, radial
n_G	29.500 1/min	Limiting speed
	0,019 kg	Weight

Dimensions

D_2	23,1 mm	Caliber diameter outer ring
d_2	13,6 mm	Caliber diameter inner ring

Mounting dimensions

$d_{a\min}$	11,4 mm	Minimum diameter shaft shoulder
$D_{a\max}$	23,6 mm	Maximum diameter of housing shoulder
$r_{a\max}$	0,3 mm	Maximum fillet radius

Temperature range

T_{\min}	-20 °C	Operating temperature min.
T_{\max}	110 °C	Operating temperature max.

Calculation factors

f_0	12,4	Calculation factor
-------	------	--------------------

