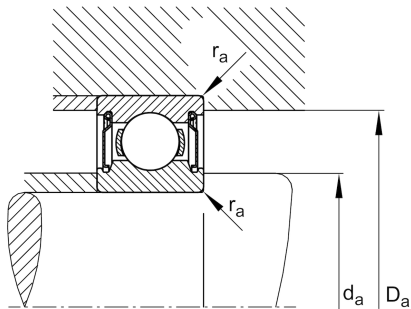
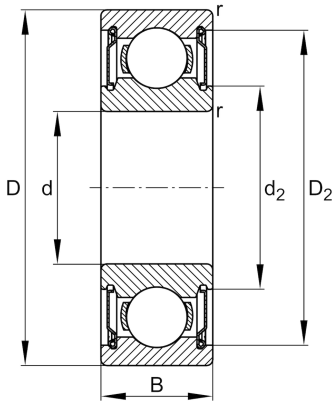
**FAG****6206-H-2Z**

Deep groove ball bearing

Schaeffler ID:  
0938592790000

Deep groove ball bearing 62...-H-2Z, single row, H-Series, shields, steel sheet metal cage

## Technical information

**Temperature range**

$T_{min}$	-20 °C	Operating temperature min.
$T_{max}$	120 °C	Operating temperature max.
	0,201 kg	Weight

**Main Dimensions & Performance Data**

d	30 mm	Bore diameter
D	62 mm	Outside diameter
B	16 mm	Width
$C_r$	19.800 N	Basic dynamic load rating, radial
$C_{0r}$	12.800 N	Basic static load rating, radial
$C_{ur}$	670 N	Fatigue load limit, radial
$n_G$	13.600 1/min	Limiting speed
$n_{gr}$	11.800 1/min	Reference speed

**Dimensions**

$r_{min}$	1 mm	Minimum chamfer dimension
$D_2$	54,4 mm	Caliber diameter outer ring
$d_2$	39,2 mm	Caliber diameter inner ring

**Mounting dimensions**

$d_{a min}$	35,6 mm	Minimum diameter shaft shoulder
$D_{a max}$	56,4 mm	Maximum diameter of housing shoulder
$r_{a max}$	1 mm	Maximum fillet radius

**Calculation factors**

$f_0$	15,7	Calculation factor
-------	------	--------------------