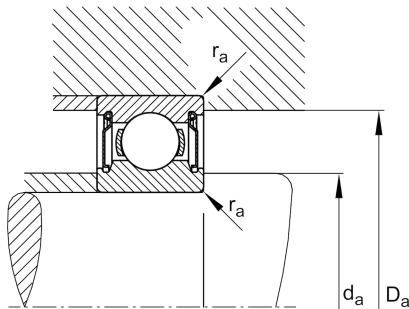
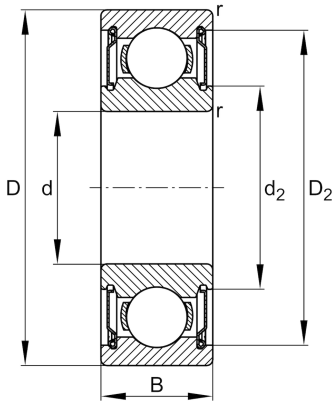
**FAG****6203-H-2Z**

Deep groove ball bearing

Schaeffler ID:  
0937766670000

Deep groove ball bearing 62...-H-2Z, single row, H-Series, shields, steel sheet metal cage

## Technical information

**Temperature range**

$T_{min}$	-20 °C	Operating temperature min.
$T_{max}$	120 °C	Operating temperature max.
	0,067 kg	Weight

**Main Dimensions & Performance Data**

d	17 mm	Bore diameter
D	40 mm	Outside diameter
B	12 mm	Width
$C_r$	9.570 N	Basic dynamic load rating, radial
$C_{0r}$	4.790 N	Basic static load rating, radial
$C_{ur}$	295 N	Fatigue load limit, radial
$n_G$	22.000 1/min	Limiting speed
$n_{gr}$	17.600 1/min	Reference speed

**Dimensions**

$r_{min}$	0,6 mm	Minimum chamfer dimension
$D_2$	35,17 mm	Caliber diameter outer ring
$d_2$	23,5 mm	Caliber diameter inner ring

**Mounting dimensions**

$d_{a min}$	21,2 mm	Minimum diameter shaft shoulder
$D_{a max}$	35,8 mm	Maximum diameter of housing shoulder
$r_{a max}$	0,6 mm	Maximum fillet radius

**Calculation factors**

$f_0$	13,2	Calculation factor
-------	------	--------------------