

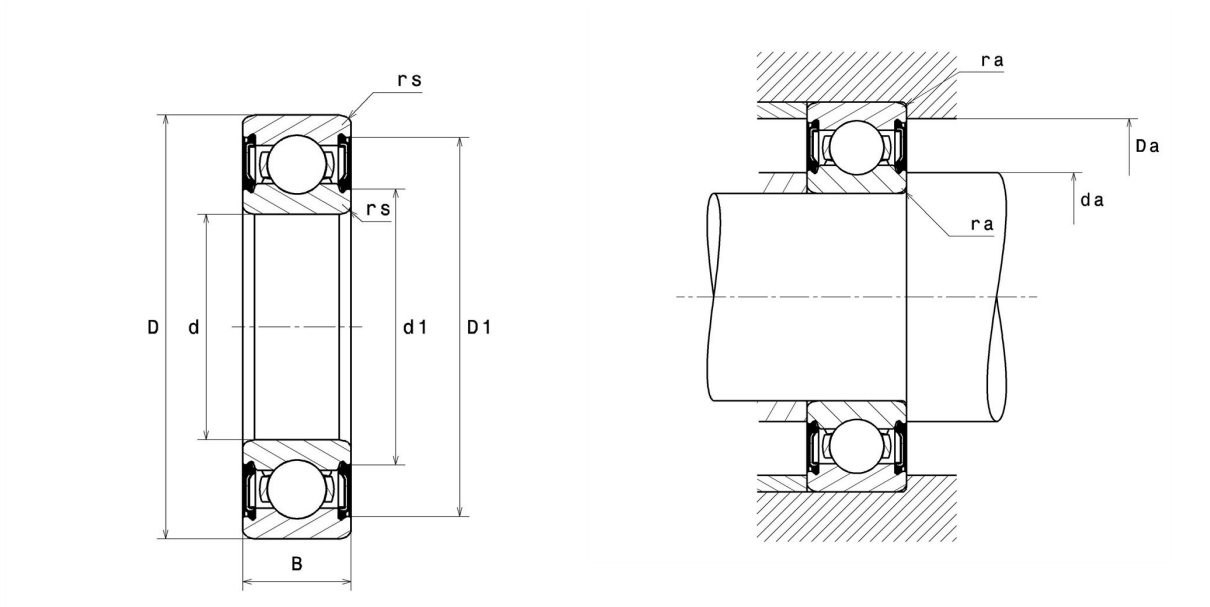
## Technical data

### 608LLBC3/5K

Single row deep groove ball bearings

Deep groove ball bearing, radial contact, pressed steel cage, non-contact seals on both sides

## Visual(s)



## Product definition

<b>d</b>	8 mm
<b>D</b>	22 mm
<b>B</b>	7 mm
<b>rs min</b>	0.3 mm
<b>Radial clearance class</b>	C3
<b>Mass</b>	0.01 kg
<b>Brand</b>	NTN

## Product performance

<b>Dynamic load, C</b>	3.35 kN
<b>Static load, C0</b>	1.4 kN
<b>Fatigue limit load, Cu</b>	0.06 kN
<b>f0</b>	12.5
<b>Nlim (grease)</b>	32,000 Tr/min
<b>Min operating temperature, Tmin</b>	-25 °C
<b>Max operating temperature, Tmax</b>	110 °C

## Abutment dimensions

<b>da min</b>	10 mm
<b>da max</b>	12.2 mm
<b>Da max</b>	20 mm
<b>ra max</b>	0.3 mm

## Calculation factors

### Equivalent dynamic radial load

$$P = X.F_r + Y.F_a$$

$\frac{f_0 F_a}{C_0}$	e	Fa / Fr ≤ e		Fa / Fr > e	
		X	Y	X	Y
0.172	0.19	1	0	0.56	2.3
0.345	0.22				1.99
0.689	0.26				1.71
1.03	0.28				1.55
1.38	0.3				1.45
2.07	0.34				1.31
3.45	0.38				1.15
5.17	0.42				1.04
6.89	0.44				1

### Equivalent static radial load

$$P_0 = X_0.F_r + Y_0.F_a$$

$X_0$	$Y_0$
0.6	0.5

For single or DT bearing arrangement :

If  $P_0 < F_r$ , then use  $P_0 = F_r$