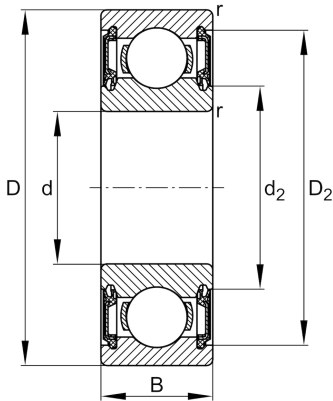
**FAG****6006-H-2RSR**

Deep groove ball bearing

Schaeffler ID:  
0938788260000Deep groove ball bearings 60..-H-2RSR,  
main dimensions to DIN 625-1, lip seals on  
both sides

## Technical information

**Main Dimensions & Performance Data**

d	30 mm	Bore diameter
D	55 mm	Outside diameter
B	13 mm	Width
$r_{\min}$	1 mm	Minimum chamfer dimension
$C_r$	13.230 N	Basic dynamic load rating, radial
$C_{0r}$	8.300 N	Basic static load rating, radial
$C_{ur}$	475 N	Fatigue load limit, radial
$n_G$	7.000 1/min	Limiting speed
	0,126 kg	Weight

**Dimensions**

$D_2$	49,9 mm	Caliber diameter outer ring
$d_2$	36,8 mm	Caliber diameter inner ring

**Mounting dimensions**

$d_{a\min}$	34,6 mm	Minimum diameter shaft shoulder
$D_{a\max}$	50,4 mm	Maximum diameter of housing shoulder
$r_{a\max}$	1 mm	Maximum fillet radius

**Temperature range**

$T_{\min}$	-20 °C	Operating temperature min.
$T_{\max}$	110 °C	Operating temperature max.

**Calculation factors**

$f_0$	14,8	Calculation factor
-------	------	--------------------

