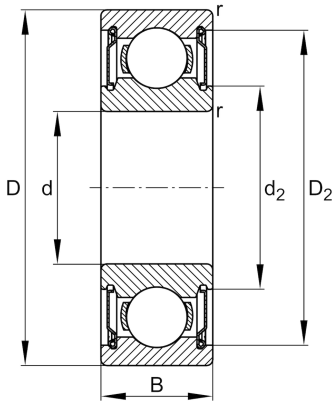
**FAG****6001-H-2Z**

Deep groove ball bearing

Schaeffler ID:
0938748630000

Deep groove ball bearing 60..-H-2Z, single row, H-Series, shields, steel sheet metal cage

Technical information

**Main Dimensions & Performance Data**

| | | |
|----------|--------------|-----------------------------------|
| d | 12 mm | Bore diameter |
| D | 28 mm | Outside diameter |
| B | 8 mm | Width |
| C_r | 5.400 N | Basic dynamic load rating, radial |
| C_{0r} | 2.360 N | Basic static load rating, radial |
| C_{ur} | 126 N | Fatigue load limit, radial |
| n_G | 32.000 1/min | Limiting speed |
| n_{gr} | 23.200 1/min | Reference speed |
| | 0,021 kg | Weight |

Dimensions

| | | |
|-----------|----------|-----------------------------|
| r_{min} | 0,3 mm | Minimum chamfer dimension |
| D_2 | 25,34 mm | Caliber diameter outer ring |
| d_2 | 16,8 mm | Caliber diameter inner ring |

Mounting dimensions

| | | |
|------------|--------|--------------------------------------|
| d_{amin} | 14 mm | Minimum diameter shaft shoulder |
| D_{amax} | 26 mm | Maximum diameter of housing shoulder |
| r_{amax} | 0,3 mm | Maximum fillet radius |

Calculation factors

| | | |
|-------|----|--------------------|
| f_0 | 13 | Calculation factor |
|-------|----|--------------------|

Temperature range

| | | |
|-----------|--------|----------------------------|
| T_{min} | -20 °C | Operating temperature min. |
| T_{max} | 120 °C | Operating temperature max. |

