



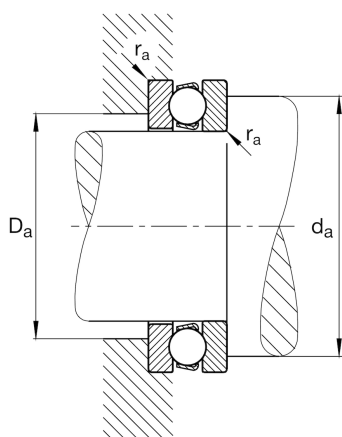
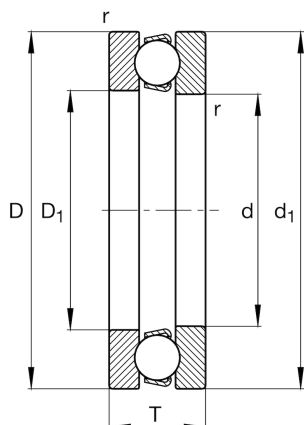
FAG

51128

Axial deep groove ball bearing

Schaeffler ID:
0167148730000Axial deep groove ball bearing 511, single
direction, steel sheet metal cage

Technical information



Main Dimensions & Performance Data

d	140 mm	Bore diameter
D	180 mm	Outside diameter
T	31 mm	Height
r_{\min}	1 mm	Minimum chamfer dimension
C_a	111.000 N	Basic dynamic load rating, axial
C_{0a}	400.000 N	Basic static load rating, axial
C_{ua}	14.600 N	Fatigue load limit, axial
n_G	2.750 1/min	Limiting speed
n_{gr}	2.330 1/min	Reference speed
	1,852 kg	Weight

Dimensions

D_1	142 mm	Bore diameter housing washer
d_1	178 mm	Lip diameter shaft washer

Mounting dimensions

$D_{a \max}$	156 mm	Maximum diameter of housing shoulder
$r_{a \max}$	1 mm	Maximum recess radius
$d_{a \min}$	164 mm	Minimum diameter shaft shoulder

Calculation factors

A	0,83	Minimum load factor
---	------	---------------------

Temperature range

T_{\min}	-30 °C	Operating temperature min.
T_{\max}	150 °C	Operating temperature max.