



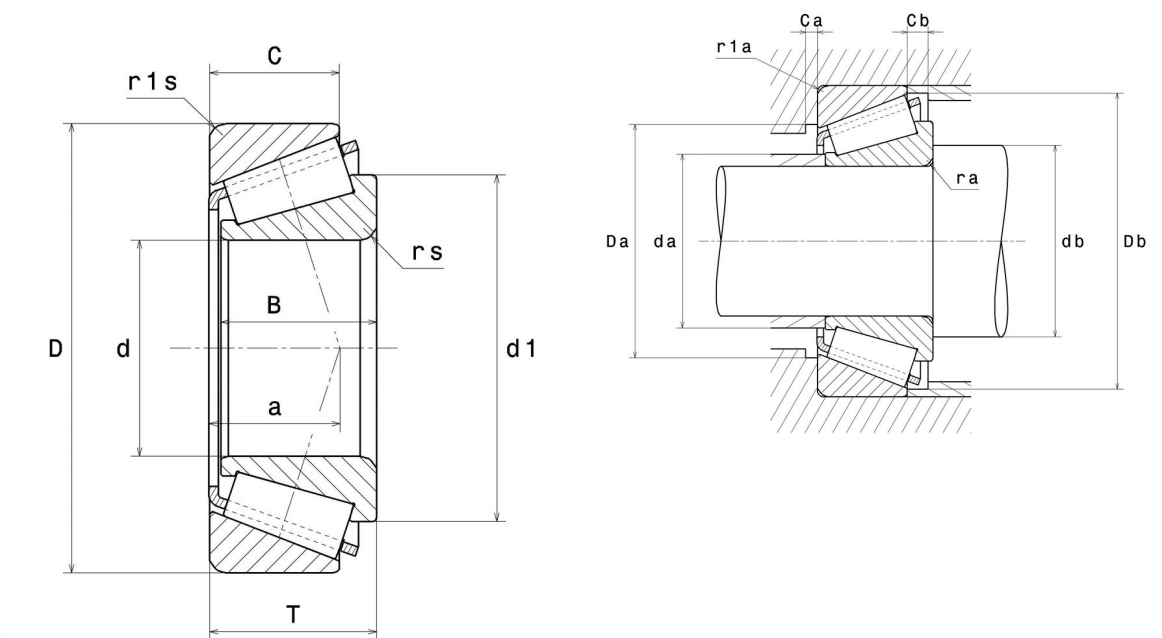
Technical data

4T-HM218248/HM218210

Single row tapered roller bearings

Tapered roller bearing, pressed steel cage

Visual(s)



Product definition

d	89.97 mm
D	146.98 mm
B	40 mm
C	32.5 mm
T	40 mm
d1	117.5 mm
a	31.4 mm
e	0.33
Y2	1.8
Y0	0.99
Mass	2.55 kg
Brand	NTN

Product performance

Dynamic load, C	227 kN
Rating life coefficient, A2	1.4
Static load, C0	340 kN
Fatigue limit load, Cu	39.4 kN
Nlim (oil)	3,200 Tr/min
Nlim (grease)	2,400 Tr/min
Min operating temperature, Tmin	-40 °C
Max operating temperature, Tmax	120 °C
Characteristic cage frequency, FTF	0.44 Hz
Characteristic rolling element frequency, BSF	7.88 Hz
Characteristic outer ring frequency, BPF0	9.22 Hz
Characteristic inner ring frequency, BPFI	11.78 Hz

Abutment dimensions

ra max	7 mm
r1a max	3.5 mm

Calculation factors

Equivalent dynamic radial load

$$P = X.F_r + Y.F_a$$

$F_a / F_r \leq e$		$F_a / F_r > e$	
X	Y	X	Y
1	0	0.4	Y2

Equivalent static radial load

$$P_0 = X_0.F_r + Y_0.F_a$$

X_0	Y_0
0.5	Y0

If $P_0 < F_r$, then use $P_0 = F_r$

The values for e, Y2 and Y0 are shown in the above table