



FAG

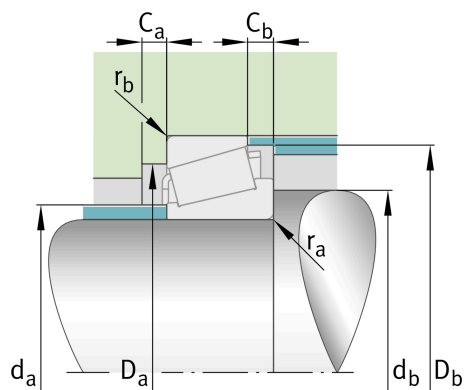
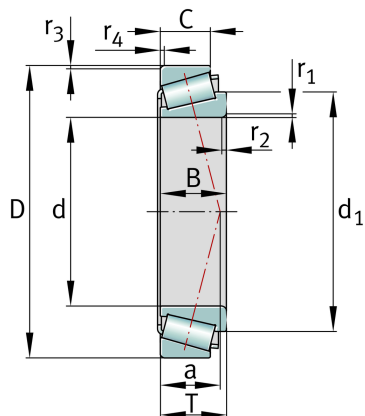
33214-H

Tapered roller bearing

Schaeffler ID:
0957417120000

Tapered roller bearings 332, main dimensions to DIN ISO 355 / DIN 720, separable, adjusted or in pairs

Technical information



Main Dimensions & Performance Data

d	70 mm	Bore diameter
D	125 mm	Outside diameter
B	41 mm	Width, inner ring
C	32 mm	Width, outer ring
T	41 mm	Width, total
C_r	200.000 N	Basic dynamic load rating, radial
C_{0r}	300.000 N	Basic static load rating, radial
C_{ur}	38.500 N	Fatigue load limit, radial
n_G	4.400 1/min	Limiting speed
n_{gr}	3.550 1/min	Thermal speed rating
	2,17 kg	Weight

Mounting dimensions

$d_{a \max}$	79 mm	Maximum diameter of shaft shoulder
$d_{b \min}$	79 mm	Minimum diameter of shaft shoulder
$D_{a \max}$	116 mm	Maximum diameter of housing shoulder
$C_{a \min}$	7 mm	Minimum axial space
$C_{b \min}$	9 mm	Minimum axial space
$r_{a \max}$	2 mm	Maximum fillet radius of shaft

Dimensions

$r_{1,2 \min}$	2 mm	Minimum chamfer dimension of inner ring back face
$r_{3,4 \min}$	1,5 mm	Minimum chamfer dimension of outer ring back face
a	31 mm	Distance between the apexes of the pressure cones
d_1	100 mm	Guidance rib diameter of inner ring

Temperature range

T_{\min}	-30 °C	Operating temperature min.
T_{\max}	120 °C	Operating temperature max.

Calculation factors

e	0,41	Limiting value of F_a/F_r for the applicability of diff. Values of factors X and Y
Y	1,47	Dynamic axial load factor
Y_0	0,81	Static axial load factor

Additional information

T3EE070	Comparative designation to ISO 10317 and ISO 355
---------	--------------------------------------------------