

FAG

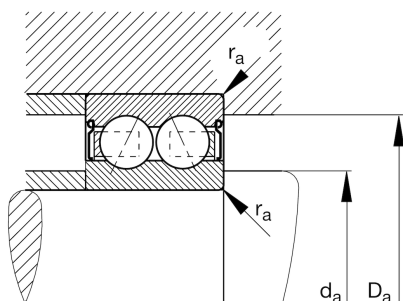
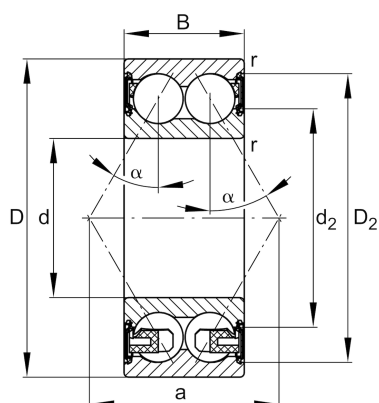
3311-BD-XL-2HRS-TVH

Angular contact ball bearing

Schaeffler ID:
0627077280000Angular contact ball bearing 33..-BD-
XL-2HRS-TVH, double row, X-life, seals,
plastic cage

X-life

Technical information

**Main Dimensions & Performance Data**

| | | |
|------------|-------------|-----------------------------------|
| d | 55 mm | Bore diameter |
| D | 120 mm | Outside diameter |
| B | 49,2 mm | Width |
| r_{\min} | 2 mm | Minimum chamfer dimension |
| C_r | 116.000 N | Basic dynamic load rating, radial |
| C_{0r} | 88.000 N | Basic static load rating, radial |
| C_{ur} | 6.100 N | Fatigue load limit, radial |
| n_G | 4.350 1/min | Limiting speed |
| | 2,3 kg | Weight |

Dimensions

| | | |
|----------|----------|---|
| D_2 | 106,8 mm | Caliber diameter outer ring |
| d_2 | 76,4 mm | Kaliberdurchmesser des Innenrings |
| a | 71,4 mm | Distance between the apexes of the pressure cones |
| α | 30 ° | Contact angle |

Mounting dimensions

| | | |
|--------------|--------|--------------------------------------|
| $d_{a \min}$ | 66 mm | Minimum diameter shaft shoulder |
| $D_{a \max}$ | 109 mm | Maximum diameter of housing shoulder |
| $r_{a \max}$ | 2 mm | Maximum fillet radius |

Temperature range

| | | |
|------------|--------|----------------------------|
| T_{\min} | -20 °C | Operating temperature min. |
| T_{\max} | 110 °C | Operating temperature max. |