

FAG

## ★ 3305-BD-XL-2Z-TVH

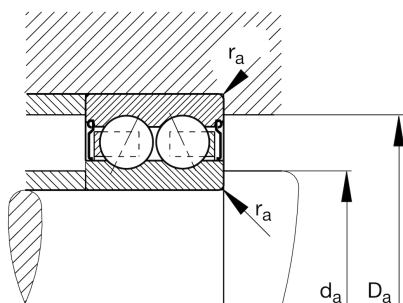
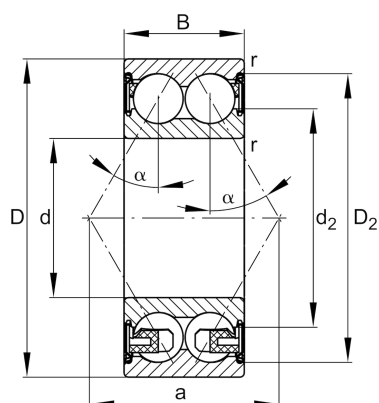
Angular contact ball bearing

Schaeffler ID:  
0616417740000Angular contact ball bearing 33..-BD-  
XL-2Z-TVH, double row, X-life, shields,  
plastic cage

★ Preferred product

X-life

## Technical information



## Main Dimensions &amp; Performance Data

|          |             |                                   |
|----------|-------------|-----------------------------------|
| d        | 25 mm       | Bore diameter                     |
| D        | 62 mm       | Outside diameter                  |
| B        | 25,4 mm     | Width                             |
| $C_r$    | 31.500 N    | Basic dynamic load rating, radial |
| $C_{0r}$ | 21.000 N    | Basic static load rating, radial  |
| $C_{ur}$ | 1.460 N     | Fatigue load limit, radial        |
| $n_G$    | 9.300 1/min | Limiting speed                    |
| $n_{gr}$ | 9.400 1/min | Reference speed                   |
|          | 0,352 kg    | Weight                            |

## Dimensions

|           |         |   |
|-----------|---------|---|
| $r_{min}$ | 1,1 mm  | Minimum chamfer dimension                         |
| $D_2$     | 53,7 mm | Caliber diameter outer ring                       |
| $d_2$     | 37,6 mm | Caliber diameter inner ring                       |
| a         | 35,4 mm | Distance between the apexes of the pressure cones |
| $\alpha$  | 30 °    | Contact angle                                     |

## Mounting dimensions

|             |       |                                      |
|-------------|-------|--------------------------------------|
| $d_{a min}$ | 32 mm | Minimum diameter shaft shoulder      |
| $D_{a max}$ | 55 mm | Maximum diameter of housing shoulder |
| $r_{a max}$ | 1 mm  | Maximum fillet radius                |

## Temperature range

|           |        |                            |
|-----------|--------|----------------------------|
| $T_{min}$ | -20 °C | Operating temperature min. |
| $T_{max}$ | 120 °C | Operating temperature max. |