



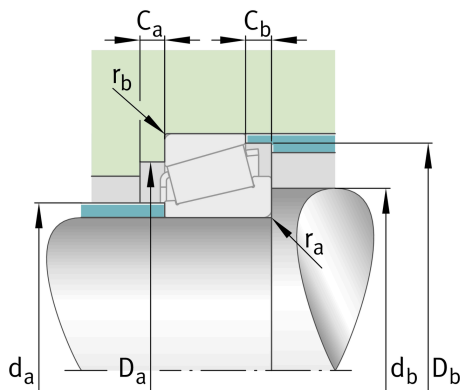
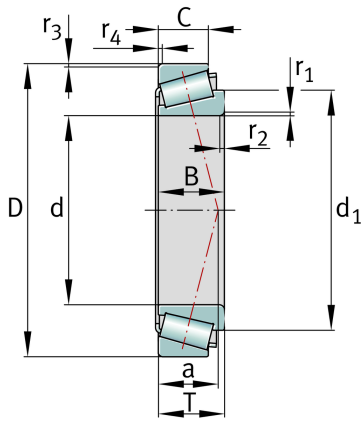
FAG

32211-H

Tapered roller bearing

Schaeffler ID:
0953901200000Tapered roller bearings 322, main
dimensions to DIN ISO 355 / DIN 720,
separable, adjusted or in pairs

Technical information

**Main Dimensions & Performance Data**

d	[55] mm	Bore diameter
D	[100] mm	Outside diameter
B	[25] mm	Width, inner ring
C	[21] mm	Width, outer ring
T	[26,75] mm	Width, total
C_r	[104.000] N	Basic dynamic load rating, radial
C_{0r}	[135.000] N	Basic static load rating, radial
C_{ur}	[16.500] N	Fatigue load limit, radial
n_G	[5.760] 1/min	Limiting speed
n_{gr}	[4.100] 1/min	Thermal speed rating
	[0,87] kg	{Weight}

Mounting dimensions

$d_{a \max}$	[63] mm	Maximum diameter of shaft shoulder
$d_{b \min}$	[64] mm	Minimum diameter of shaft shoulder
$D_{a \min}$	[87] mm	Minimum diameter of housing shoulder
$D_{a \max}$	[91] mm	Maximum diameter of housing shoulder
$D_{b \min}$	[95] mm	Minimum diameter of housing shoulder
$C_{a \min}$	[4] mm	Minimum axial space
$C_{b \min}$	[5,5] mm	Minimum axial space
$r_{a \max}$	[2] mm	Maximum fillet radius of shaft
$r_{b \max}$	[1,5] mm	Maximum fillet radius of housing

Dimensions

$r_{1,2 \text{ min}}$	[2] mm	Minimum chamfer dimension of inner ring back face
$r_{3,4 \text{ min}}$	[1,5] mm	Minimum chamfer dimension of outer ring back face
a	[23] mm	Distance between the apexes of the pressure cones
d_1	[78,1] mm	Guidance rib diameter of inner ring

Temperature range

T_{min}	[-30] °C	Operating temperature min.
T_{max}	[120] °C	Operating temperature max.

Calculation factors

e	[0,4]	Limiting value of F_a/F_r for the applicability of diff. Values of factors X and Y
Y	[1,48]	Dynamic axial load factor
Y_0	[0,81]	Static axial load factor

Additional information

	[T3DC055]	Comparative designation to ISO 10317 and ISO 355
--	-----------	--