

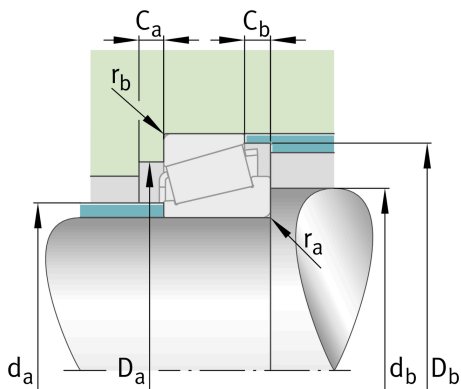
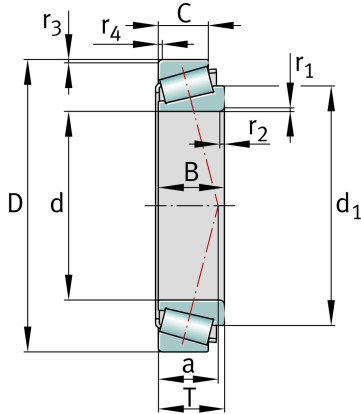
FAG

31324-X

Tapered roller bearing

Schaeffler ID:
0167114160000Tapered roller bearings 313, main
dimensions to DIN ISO 355 / DIN 720,
separable, adjusted or in pairs

Technical information

**Main Dimensions & Performance Data**

d	120 mm	Bore diameter
D	260 mm	Outside diameter
B	62 mm	Width, inner ring
C	42 mm	Width, outer ring
T	68 mm	Width, total
C_r	540.000 N	Basic dynamic load rating, radial
C_{0r}	700.000 N	Basic static load rating, radial
C_{ur}	84.000 N	Fatigue load limit, radial
n_G	2.600 1/min	Limiting speed
n_{gr}	2.020 1/min	Thermal speed rating
	15,43 kg	Weight

Mounting dimensions

$d_{a \max}$	145 mm	Maximum diameter of shaft shoulder
$d_{b \min}$	134 mm	Minimum diameter of shaft shoulder
$D_{a \min}$	203 mm	Minimum diameter of housing shoulder
$D_{a \max}$	246 mm	Maximum diameter of housing shoulder
$D_{b \min}$	244 mm	Minimum diameter of housing shoulder
$C_{a \min}$	9 mm	Minimum axial space
$C_{b \min}$	26 mm	Minimum axial space
$r_{a \max}$	4 mm	Maximum fillet radius of shaft
$r_{b \max}$	3 mm	Maximum fillet radius of housing

Calculation factors

e	0,83	Limiting value of Fa/Fr for the applicability of diff. Values of factors X and Y
r _{1,2 min}	4 mm	Minimum chamfer dimension of inner ring back face
Y	0,73	Dynamic axial load factor
r _{3,4 min}	3 mm	Minimum chamfer dimension of outer ring back face
a	82 mm	Distance between the apexes of the pressure cones
Y ₀	0,4	Static axial load factor
d ₁	192 mm	Guidance rib diameter of inner ring

Additional information

	T7GB120	Comparative designation to ISO 10317 and ISO 355
--	---------	--

Temperature range

T _{min}	-30 °C	Operating temperature min.
T _{max}	200 °C	Operating temperature max.