



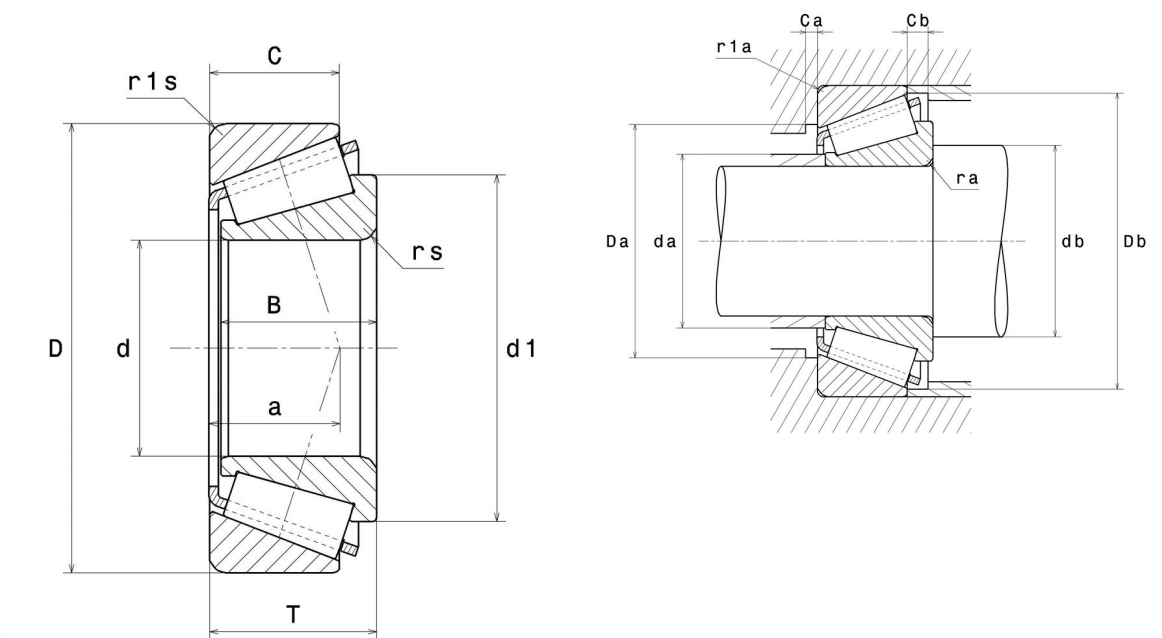
Technical data

30322U

Single row tapered roller bearings

Tapered roller bearing, pressed steel cage

Visual(s)



Product definition

d	110 mm
D	240 mm
B	50 mm
C	42 mm
T	54.5 mm
a	45.5 mm
rs min	3 mm
r1s min	2.5 mm
e	0.35
Y2	1.74
Y0	0.96
Mass	11.4 kg
ISO 355 reference	T2GB110
Brand	NTN

Product performance

Dynamic load, C	480 kN
Rating life coefficient, A2	1
Static load, C0	590 kN
Nlim (oil)	2,200 Tr/min
Nlim (grease)	1,600 Tr/min
Min operating temperature, Tmin	-40 °C
Max operating temperature, Tmax	120 °C

Abutment dimensions

da max	128 mm
db min	141 mm
Da max	226 mm
Db min	222 mm
ra max	3 mm
r1a max	2.5 mm

Calculation factors

Equivalent dynamic radial load

$$P = X.F_r + Y.F_a$$

$F_a / F_r \leq e$		$F_a / F_r > e$	
X	Y	X	Y
1	0	0.4	Y2

Equivalent static radial load

$$P_0 = X_0.F_r + Y_0.F_a$$

X_0	Y_0
0.5	Y0

If $P_0 < F_r$, then use $P_0 = F_r$

The values for e, Y2 and Y0 are shown in the above table