



FAG

★ 30313-A

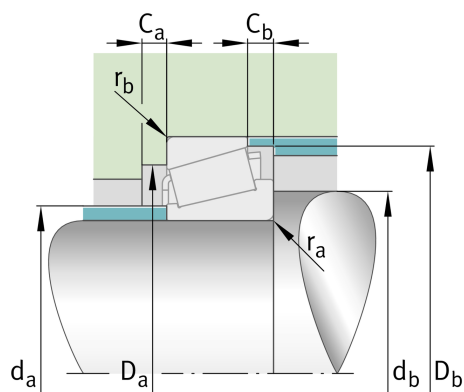
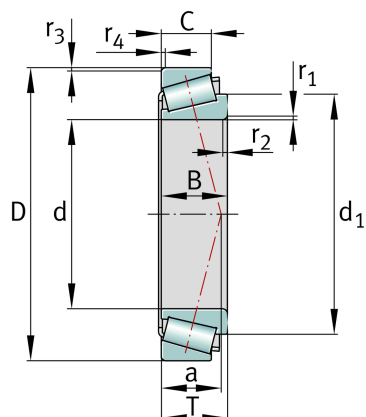
Tapered roller bearing

Schaeffler ID:
0167109670000

★ Preferred product

Tapered roller bearings 303, main dimensions to DIN ISO 355 / DIN 720, separable, adjusted or in pairs

Technical information



Main Dimensions & Performance Data

d	65 mm	Bore diameter
D	140 mm	Outside diameter
B	33 mm	Width, inner ring
C	28 mm	Width, outer ring
T	36 mm	Width, total
C_r	196.000 N	Basic dynamic load rating, radial
C_{0r}	228.000 N	Basic static load rating, radial
C_{ur}	28.000 N	Fatigue load limit, radial
n_G	5.300 1/min	Limiting speed
n_{gr}	3.850 1/min	Thermal speed rating
	2,475 kg	Weight

Dimensions

	T2GB065	Comparative designation to ISO 10317 and ISO 355
$r_{1,2 \text{ min}}$	3 mm	Minimum chamfer dimension of inner ring back face
$r_{3,4 \text{ min}}$	2,5 mm	Minimum chamfer dimension of outer ring back face
a	29 mm	Distance between the apexes of the pressure cones
d_1	99,6 mm	Guidance rib diameter of inner ring

Mounting dimensions

$d_{a \max}$	83 mm	Maximum diameter of shaft shoulder
$d_{b \min}$	77 mm	Minimum diameter of shaft shoulder
$D_{a \min}$	122 mm	Minimum diameter of housing shoulder
$D_{a \max}$	128 mm	Maximum diameter of housing shoulder
$D_{b \min}$	130 mm	Minimum diameter of housing shoulder
$C_{a \min}$	5 mm	Minimum axial space
$C_{b \min}$	8 mm	Minimum axial space
$r_{a \max}$	3 mm	Maximum fillet radius of shaft
$r_{b \max}$	2,5 mm	Maximum fillet radius of housing

Calculation factors

e	0,35	Limiting value of F_a/F_r for the applicability of diff. Values of factors X and Y
Y	1,74	Dynamic axial load factor
Y_0	0,96	Static axial load factor

Temperature range

T_{\min}	-30 °C	Operating temperature min.
T_{\max}	120 °C	Operating temperature max.