



FAG

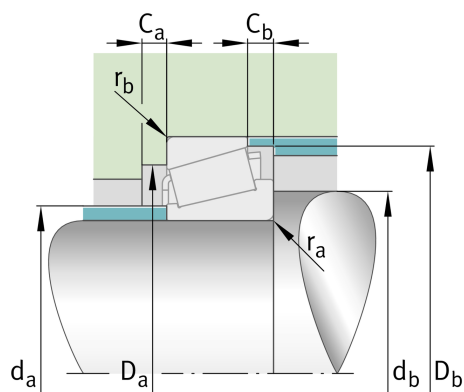
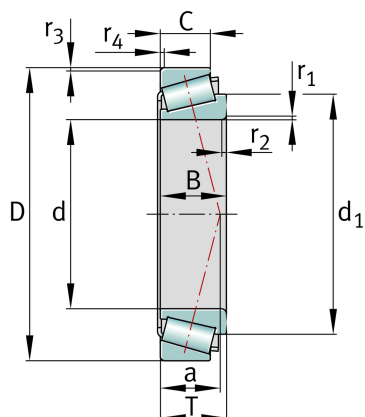
★ 30306-A

Tapered roller bearing

Schaeffler ID:
0167108780000Tapered roller bearings 303, main
dimensions to DIN ISO 355 / DIN 720,
separable, adjusted or in pairs

★ Preferred product

Technical information



Main Dimensions & Performance Data

d	30 mm	Bore diameter
D	72 mm	Outside diameter
B	19 mm	Width, inner ring
C	16 mm	Width, outer ring
T	20,75 mm	Width, total
C_r	60.000 N	Basic dynamic load rating, radial
C_{0r}	61.000 N	Basic static load rating, radial
C_{ur}	7.100 N	Fatigue load limit, radial
n_G	11.000 1/min	Limiting speed
n_{gr}	7.100 1/min	Thermal speed rating
	0,004 kg	Weight

Dimensions

	T2FB030	Comparative designation to ISO 10317 and ISO 355
$r_{1,2 \text{ min}}$	1,5 mm	Minimum chamfer dimension of inner ring back face
$r_{3,4 \text{ min}}$	1,5 mm	Minimum chamfer dimension of outer ring back face
a	15 mm	Distance between the apexes of the pressure cones
d_1	49,3 mm	Guidance rib diameter of inner ring

Mounting dimensions

$d_{a \max}$	40 mm	Maximum diameter of shaft shoulder
$d_{b \min}$	37 mm	Minimum diameter of shaft shoulder
$D_{a \min}$	62 mm	Minimum diameter of housing shoulder
$D_{a \max}$	65 mm	Maximum diameter of housing shoulder
$D_{b \min}$	66 mm	Minimum diameter of housing shoulder
$C_{a \min}$	3 mm	Minimum axial space
$C_{b \min}$	4,5 mm	Minimum axial space
$r_{a \max}$	1,5 mm	Maximum fillet radius of shaft
$r_{b \max}$	1,5 mm	Maximum fillet radius of housing

Calculation factors

e	0,32	Limiting value of F_a/F_r for the applicability of diff. Values of factors X and Y
Y	1,9	Dynamic axial load factor
Y_0	1,05	Static axial load factor

Temperature range

T_{\min}	-30 °C	Operating temperature min.
T_{\max}	120 °C	Operating temperature max.