

FAG

## ★ 29424-E1-XL

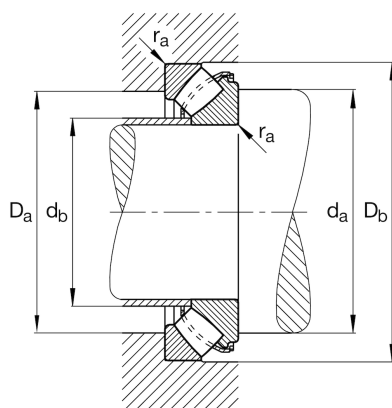
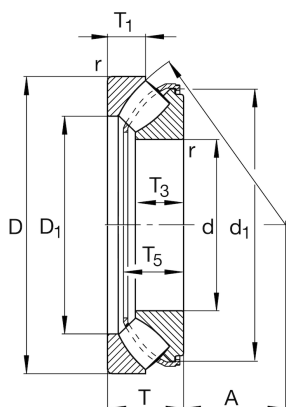
Axial spherical roller bearing

Schaeffler ID:  
0390004190000Axial spherical roller bearing 294..-E1-XL,  
no flanging ring

★ Preferred product

X-life

## Technical information



## Main Dimensions &amp; Performance Data

d	120 mm	Bore diameter
D	250 mm	Outside diameter
T	78 mm	Height
$C_a$	1.470.000 N	Basic dynamic load rating, axial
$C_{0a}$	3.700.000 N	Basic static load rating, axial
$C_{ua}$	400.000 N	Fatigue load limit, axial
$n_G$	2.800 1/min	Limiting speed
$n_{gr}$	1.460 1/min	Reference speed
	16,31 kg	Weight

## Dimensions

$D_1$	171 mm	Bore diameter housing washer
$d_1$	218,8 mm	Rip diameter shaft washer
$r_{min}$	4 mm	Minimum chamfer dimension
$T_1$	36,5 mm	Height of the housing washer
$T_3$	50,5 mm	Height of the shaft washer
$T_5$	70 mm	Distance shaft washer - cage
A	74 mm	Distance of the center point

## Mounting dimensions

$d_{a min}$	180 mm	Minimum diameter shaft shoulder
$D_{a max}$	210 mm	Maximum diameter of housing shoulder
$D_{b min}$	254 mm	Minimum bore diameter housing
$d_{b max}$	142 mm	Maximum distance sleeve
$d_{b1 max}$	132 mm	Maximum chamfer diameter of distance sleeve
$r_{a max}$	3 mm	Maximum recess radius
	30 °	Angle of chamfer of the distance sleeve

**Temperature range**

$T_{\min}$	-30 °C	Operating temperature min.
$T_{\max}$	200 °C	Operating temperature max.

