

FAG

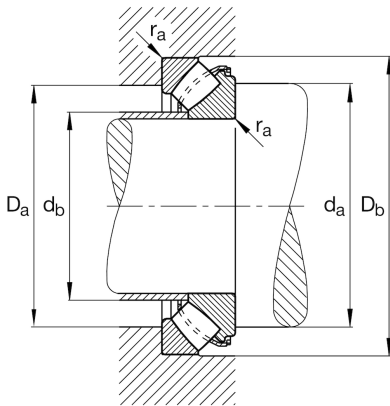
**29418-E1-XL**

Axial spherical roller bearing

Schaeffler ID:  
0390003620000Axial spherical roller bearing 294..-E1-XL,  
no flanging ring

X-life

## Technical information



## Main Dimensions &amp; Performance Data

|          |             |                                  |
|----------|-------------|----------------------------------|
| d        | 90 mm       | Bore diameter                    |
| D        | 190 mm      | Outside diameter                 |
| T        | 60 mm       | Height                           |
| $C_a$    | 880.000 N   | Basic dynamic load rating, axial |
| $C_{0a}$ | 2.130.000 N | Basic static load rating, axial  |
| $C_{ua}$ | 244.000 N   | Fatigue load limit, axial        |
| $n_G$    | 3.850 1/min | Limiting speed                   |
| $n_{gr}$ | 1.920 1/min | Reference speed                  |
|          | 7,3 kg      | Weight                           |

## Dimensions

|           |          |                              |
|-----------|----------|------------------------------|
| $D_1$     | 127,5 mm | Bore diameter housing washer |
| $d_1$     | 167,7 mm | Rip diameter shaft washer    |
| $r_{min}$ | 2,1 mm   | Minimum chamfer dimension    |
| $T_1$     | 28,5 mm  | Height of the housing washer |
| $T_3$     | 39 mm    | Height of the shaft washer   |
| $T_5$     | 54 mm    | Distance shaft washer - cage |
| A         | 56 mm    | Distance of the center point |

## Mounting dimensions

|             |         |                                      |
|-------------|---------|--------------------------------------|
| $d_{a min}$ | 135 mm  | Minimum diameter shaft shoulder      |
| $D_{a max}$ | 158 mm  | Maximum diameter of housing shoulder |
| $D_{b min}$ | 193 mm  | Minimum bore diameter housing        |
| $d_{b max}$ | 99,5 mm | Maximum distance sleeve              |
| $r_{a max}$ | 2,1 mm  | Maximum recess radius                |

## Temperature range

|           |        |                            |
|-----------|--------|----------------------------|
| $T_{min}$ | -30 °C | Operating temperature min. |
| $T_{max}$ | 200 °C | Operating temperature max. |

