

FAG

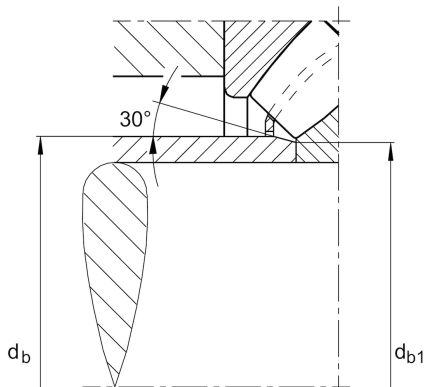
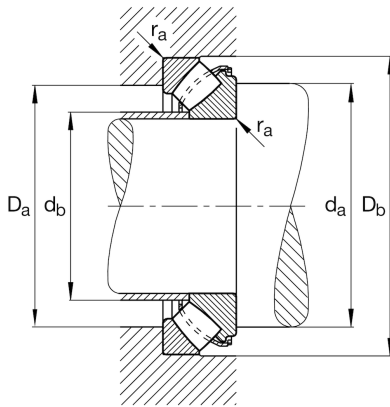
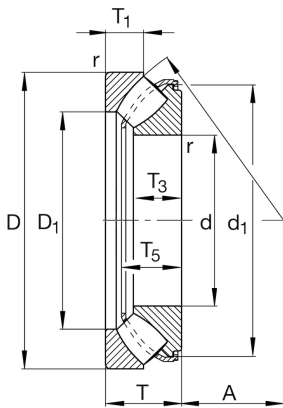
29417-E1-XL

Axial spherical roller bearing

Schaeffler ID:
0390003460000Axial spherical roller bearing 294..-E1-XL,
no flanging ring

X-life

Technical information



Main Dimensions & Performance Data

d	85 mm	Bore diameter
D	180 mm	Outside diameter
T	58 mm	Height
C _a	800.000 N	Basic dynamic load rating, axial
C _{0a}	1.910.000 N	Basic static load rating, axial
C _{ua}	224.000 N	Fatigue load limit, axial
n _G	4.100 1/min	Limiting speed
n _{gr}	2.010 1/min	Reference speed
	6,32 kg	Weight

Mounting dimensions

d _{a min}	130 mm	Minimum diameter shaft shoulder
D _{a max}	150 mm	Maximum diameter of housing shoulder
D _{b min}	183 mm	Minimum bore diameter housing
d _{b max}	94 mm	Maximum distance sleeve
r _{a max}	2,1 mm	Maximum recess radius

Temperature range

T _{min}	-30 °C	Operating temperature min.
T _{max}	200 °C	Operating temperature max.

Dimensions

D ₁	121 mm	Bore diameter housing washer
d ₁	159,3 mm	Rip diameter shaft washer
r _{min}	2,1 mm	Minimum chamfer dimension
T ₁	28 mm	Height of the housing washer
T ₃	37 mm	Height of the shaft washer
T ₅	51 mm	Distance shaft washer - cage
A	54 mm	Distance of the center point