

FAG

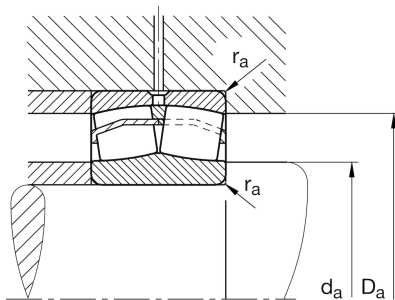
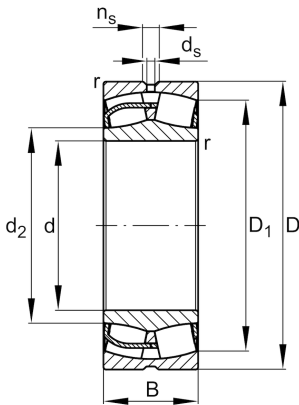
**24130-BE-XL**

Spherical roller bearing

Schaeffler ID:  
0584301050000Spherical roller bearing 241..-BE-XL,  
symmetric with rib washer

X-life

## Technical information

**Main Dimensions & Performance Data**

d	150 mm	Bore diameter
D	250 mm	Outside diameter
B	100 mm	Width
$C_r$	1.050.000 N	Basic dynamic load rating, radial
$C_{0r}$	1.520.000 N	Basic static load rating, radial
$C_{ur}$	153.000 N	Fatigue load limit, radial
$n_G$	2.370 1/min	Limiting speed
$n_{gr}$	1.270 1/min	Reference speed
	19,216 kg	Weight

**Dimensions**

$r_{min}$	2,1 mm	Minimum chamfer dimension
$D_1$	213 mm	Bore diameter outer ring
$d_2$	170,3 mm	Raceway diameter of the inner ring
$d_s$	4,8 mm	Diameter lubrication hole
$n_s$	9,5 mm	Width of lubricating groove

**Mounting dimensions**

$d_{a min}$	162 mm	Minimum diameter shaft shoulder
$D_{a max}$	238 mm	Maximum diameter of housing shoulder
$r_{a max}$	2,1 mm	Maximum recess radius

**Temperature range**

$T_{min}$	-30 °C	Operating temperature min.
$T_{max}$	200 °C	Operating temperature max.

**Calculation factors**

e	0,37	Limiting value of Fa/Fr for the applicability of diff. Values of factors X and Y
Y <sub>1</sub>	1,83	Dynamic axial load factor
Y <sub>2</sub>	2,72	Dynamic axial load factor
Y <sub>0</sub>	1,79	Static axial load factor