



Technical data

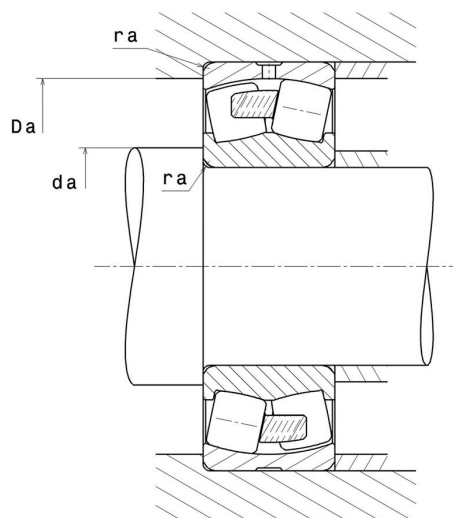
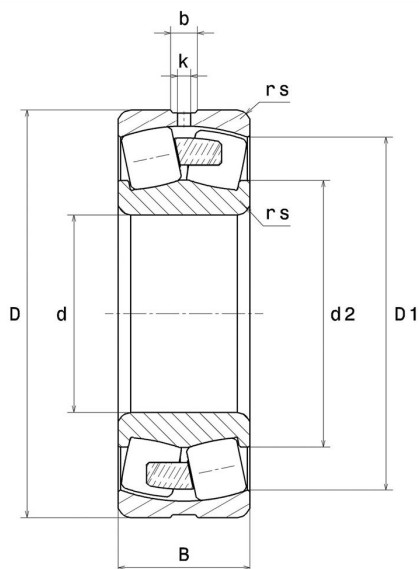
24038.EMW33C3

Double row spherical roller bearings

Spherical roller bearing, one-piece machined cage, groove and lubrication holes on outer ring

ULTAGE

Visual(s)



Product definition

d	190 mm
D	290 mm
B	100 mm
D1	260.1 mm
rs min	2.1 mm
Number of lubrication holes	3
b	11.6 mm
k	5 mm
Associated sleeve reference	P0
e	0.31
Y1	2.15
Y2	3.2
Y0	2.1
Radial clearance class	C3
Mass	22.53 kg
Brand	SNR

Product performance

Dynamic load, C	1,310 kN
Static load, C0	1,800 kN
Fatigue limit load, Cu	119 kN
Nref	1,500 Tr/min
Nlim	2,100 Tr/min
Min operating temperature, Tmin	-40 °C
Max operating temperature, Tmax	200 °C
Characteristic cage frequency, FTF	0.44 Hz
Characteristic rolling element frequency, BSF	8.14 Hz
Characteristic outer ring frequency, BPF0	10.14 Hz
Characteristic inner ring frequency, BPI	12.86 Hz

Abutment dimensions

da min	200.2 mm
da max	2 mm
Da max	279.8 mm
ra max	2 mm

Calculation factors

Equivalent dynamic radial load

$$P = X.F_r + Y.F_a$$

Fa / Fr ≤ e		Fa / Fr > e	
X	Y	X	Y
1	Y1	0.67	Y2

Equivalent static radial load

$$P_0 = X_0.F_r + Y_0.F_a$$

X ₀	Y ₀
1	Y0

The values for e, Y1, Y2 and Y0 are shown in the above table .