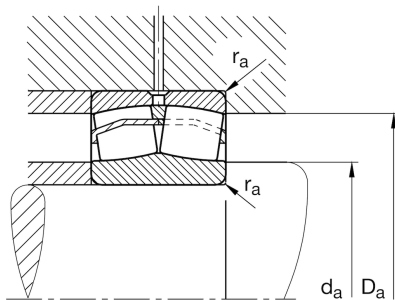
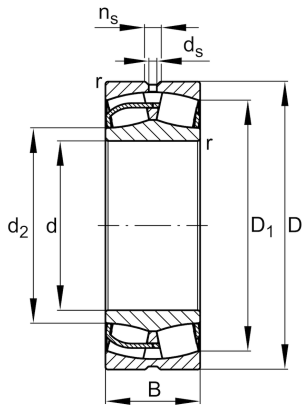


Technical information



24034-BE-XL

Spherical roller bearing

Schaeffler ID:
0635359710000

Spherical roller bearing 240..-BE-XL,
symmetric with rib washer

Main Dimensions & Performance Data

| | | |
|----------|-------------|-----------------------------------|
| d | 170 mm | Bore diameter |
| D | 260 mm | Outside diameter |
| B | 90 mm | Width |
| C_r | 940.000 N | Basic dynamic load rating, radial |
| C_{0r} | 1.480.000 N | Basic static load rating, radial |
| C_{ur} | 162.000 N | Fatigue load limit, radial |
| n_G | 2.380 1/min | Limiting speed |
| n_{gr} | 1.540 1/min | Reference speed |
| | 16,968 kg | Weight |

Additional information

| | | |
|-----------|----------|------------------------------------|
| r_{min} | 2,1 mm | Minimum chamfer dimension |
| D_1 | 228,4 mm | Bore diameter outer ring |
| d_2 | 190 mm | Raceway diameter of the inner ring |
| d_s | 4,8 mm | Diameter lubrication hole |
| n_s | 9,5 mm | Width of lubricating groove |

Mounting dimensions

| | | |
|-------------|----------|--------------------------------------|
| $d_{a min}$ | 180,2 mm | Minimum diameter shaft shoulder |
| $D_{a max}$ | 249,8 mm | Maximum diameter of housing shoulder |
| $r_{a max}$ | 2,1 mm | Maximum recess radius |

Calculation factors

| | | |
|-------|------|--|
| e | 0,31 | Limiting value of F_a/F_r for the applicability of diff. Values of factors X and Y |
| Y_1 | 2,2 | Dynamic axial load factor |
| Y_2 | 3,27 | Dynamic axial load factor |
| Y_0 | 2,15 | Static axial load factor |

Temperature range

| | | |
|------------------|--------|----------------------------|
| T _{min} | -30 °C | Operating temperature min. |
| T _{max} | 200 °C | Operating temperature max. |