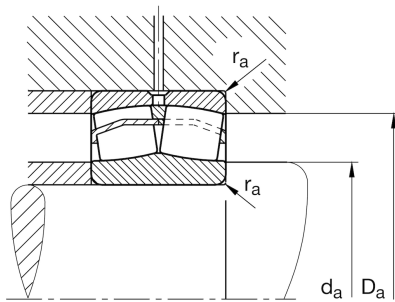
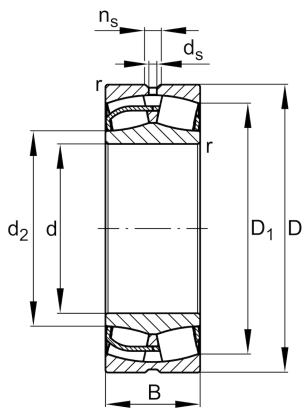


Technical information



Main Dimensions & Performance Data

d	170 mm	Bore diameter
D	260 mm	Outside diameter
B	90 mm	Width
C_r	940.000 N	Basic dynamic load rating, radial
C_{0r}	1.480.000 N	Basic static load rating, radial
C_{ur}	162.000 N	Fatigue load limit, radial
n_G	2.380 1/min	Limiting speed
n_{gr}	1.540 1/min	Reference speed
	16,968 kg	Weight

Dimensions

r_{min}	2,1 mm	Minimum chamfer dimension
D_1	228,4 mm	Bore diameter outer ring
d_2	190 mm	Raceway diameter of the inner ring
d_s	4,8 mm	Diameter lubrication hole
n_s	9,5 mm	Width of lubricating groove

Mounting dimensions

$d_{a min}$	180,2 mm	Minimum diameter shaft shoulder
$D_{a max}$	249,8 mm	Maximum diameter of housing shoulder
$r_{a max}$	2,1 mm	Maximum recess radius

Calculation factors

e	0,31	Limiting value of F_a/F_r for the applicability of diff. Values of factors X and Y
Y_1	2,2	Dynamic axial load factor
Y_2	3,27	Dynamic axial load factor
Y_0	2,15	Static axial load factor

Temperature range

T _{min}	-30 °C	Operating temperature min.
T _{max}	200 °C	Operating temperature max.