

FAG

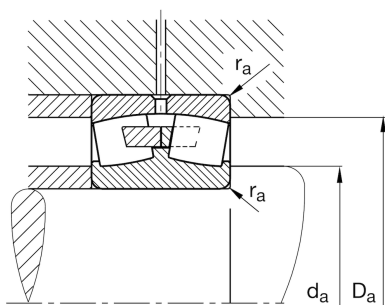
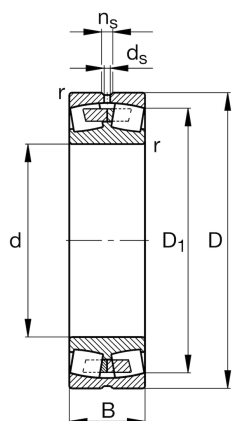
23228-E1A-XL-M-C3

Spherical Roller Bearing

Schaeffler ID:
0190359690030Spherical roller bearings 232...-E1A, main
dimensions to DIN 635-2

X-life

Technical information

**Main Dimensions & Performance Data**

d	140 mm	Bore diameter
D	250 mm	Outside diameter
B	88 mm	Width
C_r	1.090.000 N	Basic dynamic load rating, radial
C_{0r}	1.400.000 N	Basic static load rating, radial
C_{ur}	116.000 N	Fatigue load limit, radial
n_G	2.600 1/min	Limiting speed
n_{gr}	1.550 1/min	Reference speed
$\approx m$	15,302 kg	Weight

Mounting dimensions

$d_{a \min}$	154 mm	Minimum diameter shaft shoulder
$D_{a \max}$	236 mm	Maximum diameter of housing shoulder
$r_{a \max}$	2,5 mm	Maximum recess radius

Dimensions

r_{\min}	3 mm	Minimum chamfer dimension
D_1	216 mm	Bore diameter outer ring
d_s	6,3 mm	Diameter lubrication hole
n_s	12,2 mm	Width of lubricating groove

Temperature range

T_{\min}	-30 °C	Operating temperature min.
T_{\max}	200 °C	Operating temperature max.

Calculation factors

e	0,33	Limiting value of Fa/Fr for the applicability of diff. Values of factors X and Y
Y ₁	2,04	Dynamic axial load factor
Y ₂	3,04	Dynamic axial load factor
Y ₀	2	Static axial load factor