

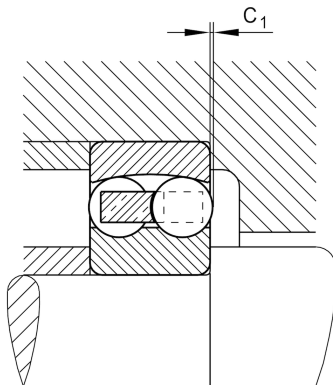
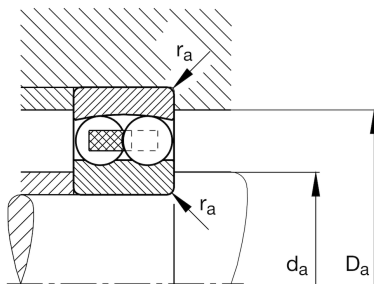
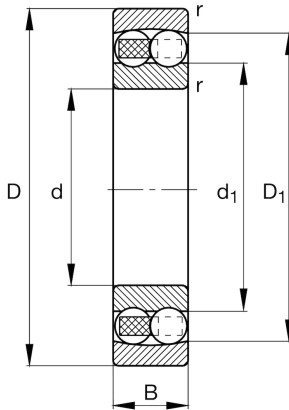
FAG

2309-TVH

Self-aligning ball bearing

Schaeffler ID:
0167073620000Self-aligning ball bearing 23..-TVH, plastic
cage

Technical information

**Main Dimensions & Performance Data**

d	45 mm	Bore diameter
D	100 mm	Outside diameter
B	36 mm	Width
C_r	55.000 N	Basic dynamic load rating, radial
C_{0r}	16.600 N	Basic static load rating, radial
C_{ur}	1.060 N	Fatigue load limit, radial
n_G	7.000 1/min	Limiting speed
n_{gr}	8.000 1/min	Reference speed
	1,209 kg	Weight

Mounting dimensions

$d_{a \min}$	54 mm	Minimum diameter shaft shoulder
$D_{a \max}$	91 mm	Maximum diameter of housing shoulder
$r_{a \max}$	1,5 mm	Maximum fillet radius

Dimensions

r_{\min}	1,5 mm	Minimum chamfer dimension
D_1	83,6 mm	Shoulder diameter outer ring
d_1	60,1 mm	Shoulder diameter inner ring
C_1	0,1 mm	Overhang rolling element

Temperature range

T_{\min}	-30 °C	Operating temperature min.
T_{\max}	120 °C	Operating temperature max.

Calculation factors

e	0,43	Limiting value of F_a/F_r for the applicability of diff. Values of factors X and Y
Y_1	1,47	Dynamic axial load factor
Y_2	2,28	Dynamic axial load factor
Y_0	1,54	Static axial load factor