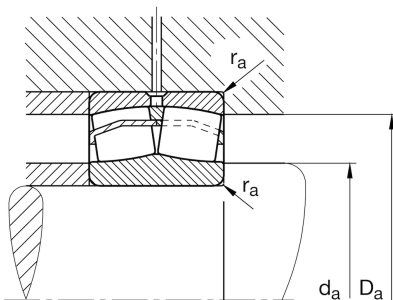
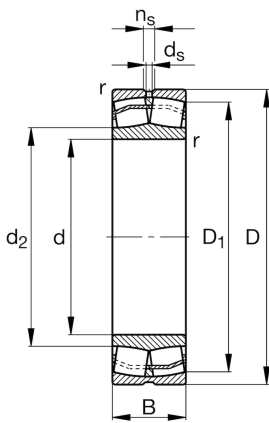
**23032-E1-XL-TVPB**

Spherical roller bearing

Schaeffler ID:
0167066330000Spherical roller bearings 230..-E1, main
dimensions to DIN 635-2

Technical information

**Main Dimensions & Performance Data**

d	160 mm	Bore diameter
D	240 mm	Outside diameter
B	60 mm	Width
C _r	720.000 N	Basic dynamic load rating, radial
C _{0r}	1.010.000 N	Basic static load rating, radial
C _{ur}	98.000 N	Fatigue load limit, radial
n _G	3.050 1/min	Limiting speed
n _{gr}	2.060 1/min	Reference speed
	11,044 kg	Weight

Mounting dimensions

d _{a min}	170,2 mm	Minimum diameter shaft shoulder
D _{a max}	229,8 mm	Maximum diameter of housing shoulder
r _{a max}	2,1 mm	Maximum recess radius

Dimensions

r _{min}	2,1 mm	Minimum chamfer dimension
D ₁	219,9 mm	Bore diameter outer ring
d ₂	177,5 mm	Raceway diameter of the inner ring
d _s	6,3 mm	Diameter lubrication hole
n _s	12,2 mm	Width of lubricating groove

Temperature range

T _{min}	-30 °C	Operating temperature min.
T _{max}	120 °C	Operating temperature max.

Calculation factors

e	0,22	Limiting value of Fa/Fr for the applicability of diff. Values of factors X and Y
Y ₁	3,1	Dynamic axial load factor
Y ₂	4,62	Dynamic axial load factor
Y ₀	3,03	Static axial load factor