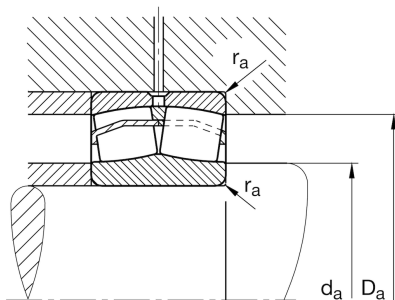
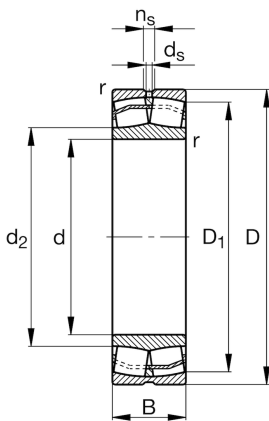
**23030-E1-XL-TVPB**

Spherical Roller Bearing

Schaeffler ID:
0190010960000Spherical roller bearings 230..-E1, main
dimensions to DIN 635-2

Technical information

**Main Dimensions & Performance Data**

d	150 mm	Bore diameter
D	225 mm	Outside diameter
B	56 mm	Width
C_r	630.000 N	Basic dynamic load rating, radial
C_{0r}	880.000 N	Basic static load rating, radial
C_{ur}	87.000 N	Fatigue load limit, radial
n_G	3.250 1/min	Limiting speed
n_{gr}	2.210 1/min	Reference speed
$\approx m$	7,27 kg	Weight

Mounting dimensions

$d_{a \min}$	160,2 mm	Minimum diameter shaft shoulder
$D_{a \max}$	214,8 mm	Maximum diameter of housing shoulder
$r_{a \max}$	2,1 mm	Maximum recess radius

Dimensions

r_{\min}	2,1 mm	Minimum chamfer dimension
D_1	206,3 mm	Bore diameter outer ring
d_2	166,6 mm	Raceway diameter of the inner ring
d_s	4,8 mm	Diameter lubrication hole
n_s	9,5 mm	Width of lubricating groove

Temperature range

T_{\min}	-30 °C	Operating temperature min.
T_{\max}	120 °C	Operating temperature max.

Calculation factors

e	0,22	Limiting value of Fa/Fr for the applicability of diff. Values of factors X and Y
Y ₁	3,1	Dynamic axial load factor
Y ₂	4,62	Dynamic axial load factor
Y ₀	3,03	Static axial load factor