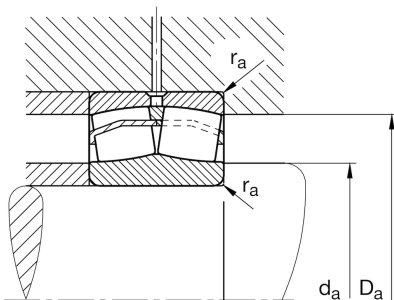
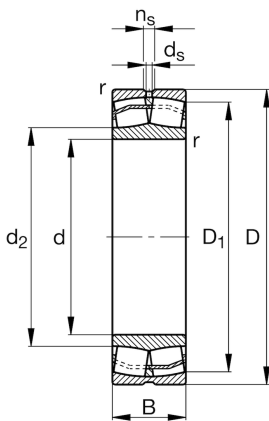
**23024-E1-XL-TVPB**

Spherical roller bearing

Schaeffler ID:
0167063740000Spherical roller bearings 230...-E1, main
dimensions to DIN 635-2

Technical information

**Dimensions**

r_{\min}	2 mm	Minimum chamfer dimension
D_1	164,7 mm	Bore diameter outer ring
d_2	133 mm	Raceway diameter of the inner ring
d_s	3,2 mm	Diameter lubrication hole
n_s	6,5 mm	Width of lubricating groove
	3,827 kg	Weight

Main Dimensions & Performance Data

d	120 mm	Bore diameter
D	180 mm	Outside diameter
B	46 mm	Width
C_r	430.000 N	Basic dynamic load rating, radial
C_{0r}	580.000 N	Basic static load rating, radial
C_{ur}	60.000 N	Fatigue load limit, radial
n_G	3.950 1/min	Limiting speed
n_{gr}	2.800 1/min	Reference speed

Mounting dimensions

$d_{a \min}$	128,8 mm	Minimum diameter shaft shoulder
$D_{a \max}$	171,2 mm	Maximum diameter of housing shoulder
$r_{a \max}$	2 mm	Maximum recess radius

Calculation factors

e	0,22	Limiting value of F_a/F_r for the applicability of diff. Values of factors X and Y
Y_1	3,04	Dynamic axial load factor
Y_2	4,53	Dynamic axial load factor
Y_0	2,97	Static axial load factor

Temperature range

T _{min}	-30 °C	Operating temperature min.
T _{max}	120 °C	Operating temperature max.