

FAG

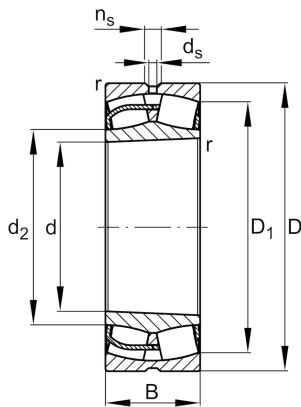
**22340-BE-XL-K**

Spherical roller bearing

Schaeffler ID:  
0604494460000Spherical roller bearings 223..-E1-K, main  
dimensions to DIN 635-2, with tapered  
bore, taper 1:12

X-life

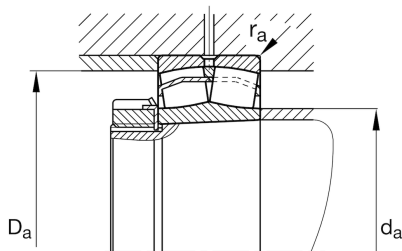
## Technical information



## Main Dimensions &amp; Performance Data

d	200 mm	Bore diameter
D	420 mm	Outside diameter
B	138 mm	Width
$C_r$	2.440.000 N	Basic dynamic load rating, radial
$C_{0r}$	2.950.000 N	Basic static load rating, radial
$C_{ur}$	232.000 N	Fatigue load limit, radial
$n_G$	1.830 1/min	Limiting speed
$n_{gr}$	1.080 1/min	Reference speed
	87,59 kg	Weight

## Dimensions



$d_{a \min}$	220 mm	Minimum diameter shaft shoulder
$r_{\min}$	5 mm	Minimum chamfer dimension
$D_1$	355,1 mm	Bore diameter outer ring
$d_{a \max}$	240 mm	Maximum diameter of shaft shoulder
$D_{a \max}$	400 mm	Maximum diameter of housing shoulder
$d_2$	248,8 mm	Raceway diameter of the inner ring
$d_s$	12,5 mm	Diameter lubrication hole
$r_{a \max}$	4 mm	Maximum recess radius
$d_{b \min}$	216 mm	Minimum cavity diameter of the sleeve
$n_s$	23,5 mm	Width of lubricating groove
$B_{a \min}$	10 mm	Minimum cavity width of the sleeve

## Additional information

H2340	Adapter sleeve
AH2340	Withdrawal sleeve

**Calculation factors**

e	0,34	Limiting value of Fa/Fr for the applicability of diff. Values of factors X and Y
Y <sub>1</sub>	1,98	Dynamic axial load factor
Y <sub>2</sub>	2,94	Dynamic axial load factor
Y <sub>0</sub>	1,93	Static axial load factor

**Temperature range**

T <sub>min</sub>	-30 °C	Operating temperature min.
T <sub>max</sub>	200 °C	Operating temperature max.