

FAG

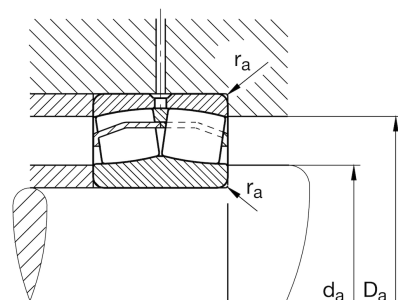
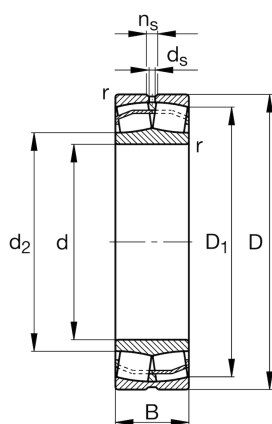
**22317-E1-XL-T41D**

Spherical roller bearing

Schaeffler ID:  
0392425520000Spherical roller bearings 223...E1-T41A,  
For oscillating load with restricted diameter  
tolerances

X-life

## Technical information



## Main Dimensions &amp; Performance Data

d	85 mm	Bore diameter
D	180 mm	Outside diameter
B	60 mm	Width
$C_r$	540.000 N	Basic dynamic load rating, radial
$C_{0r}$	560.000 N	Basic static load rating, radial
$C_{ur}$	51.000 N	Fatigue load limit, radial
$n_G$	4.100 1/min	Limiting speed
$n_{gr}$	3.200 1/min	Reference speed
	7,228 kg	Weight

## Additional information

$r_{min}$	3 mm	Minimum chamfer dimension
$D_1$	154,2 mm	Bore diameter outer ring
$d_2$	104,4 mm	Raceway diameter of the inner ring
$d_s$	4,8 mm	Diameter lubrication hole
$n_s$	9,5 mm	Width of lubricating groove

## Mounting dimensions

$d_{a min}$	99 mm	Minimum diameter shaft shoulder
$D_{a max}$	166 mm	Maximum diameter of housing shoulder
$r_{a max}$	2,5 mm	Maximum recess radius

## Calculation factors

e	0,33	Limiting value of $F_a/F_r$ for the applicability of diff. Values of factors X and Y
$Y_1$	2,04	Dynamic axial load factor
$Y_2$	3,04	Dynamic axial load factor
$Y_0$	2	Static axial load factor

**Temperature range**

T <sub>min</sub>	-30 °C	Operating temperature min.
T <sub>max</sub>	200 °C	Operating temperature max.