

FAG

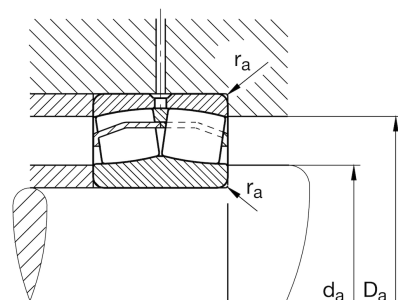
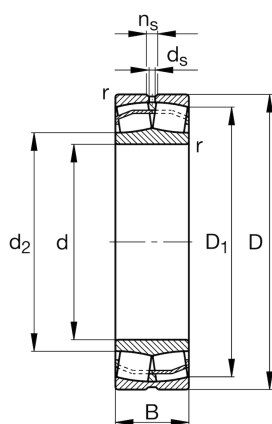
22313-E1-XL

Spherical roller bearing

Schaeffler ID:
0190006420000Spherical roller bearings 223...E1, main
dimensions to DIN 635-2

X-life

Technical information

**Main Dimensions & Performance Data**

d	65 mm	Bore diameter
D	140 mm	Outside diameter
B	48 mm	Width
C_r	350.000 N	Basic dynamic load rating, radial
C_{0r}	365.000 N	Basic static load rating, radial
C_{ur}	33.500 N	Fatigue load limit, radial
n_G	5.000 1/min	Limiting speed
n_{gr}	3.800 1/min	Reference speed
	3,566 kg	Weight

Additional information

r_{min}	2,1 mm	Minimum chamfer dimension
D_1	119,3 mm	Bore diameter outer ring
d_2	83,2 mm	Raceway diameter of the inner ring
d_s	4,8 mm	Diameter lubrication hole
n_s	9,5 mm	Width of lubricating groove

Mounting dimensions

$d_{a min}$	77 mm	Minimum diameter shaft shoulder
$D_{a max}$	128 mm	Maximum diameter of housing shoulder
$r_{a max}$	2,1 mm	Maximum recess radius

Calculation factors

e	0,34	Limiting value of F_a/F_r for the applicability of diff. Values of factors X and Y
Y_1	2	Dynamic axial load factor
Y_2	2,98	Dynamic axial load factor
Y_0	1,96	Static axial load factor

Temperature range

T _{min}	-30 °C	Operating temperature min.
T _{max}	200 °C	Operating temperature max.