

FAG

22244-BE-XL-K

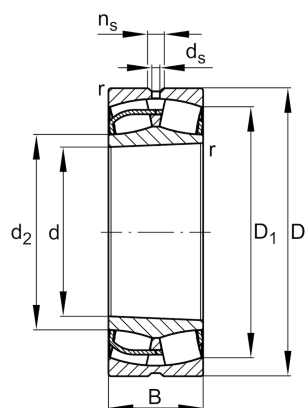
Spherical roller bearing

Schaeffler ID:
0659338770000

Spherical roller bearings 222..-E1-K, main dimensions to DIN 635-2, with tapered bore, taper 1:12

X-life

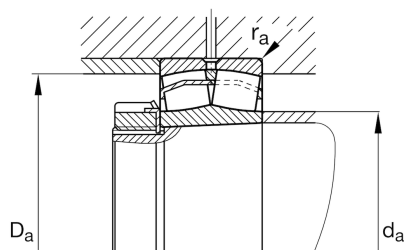
Technical information



Main Dimensions & Performance Data

d	220 mm	Bore diameter
D	400 mm	Outside diameter
B	108 mm	Width
C_r	1.840.000 N	Basic dynamic load rating, radial
C_{0r}	2.360.000 N	Basic static load rating, radial
C_{ur}	216.000 N	Fatigue load limit, radial
n_G	2.140 1/min	Limiting speed
n_{gr}	1.350 1/min	Reference speed
	57,17 kg	Weight

Dimensions



$d_{a \min}$	237 mm	Minimum diameter shaft shoulder
r_{\min}	4 mm	Minimum chamfer dimension
D_1	346,6 mm	Bore diameter outer ring
$d_{a \max}$	258 mm	Maximum diameter of shaft shoulder
$D_{a \max}$	383 mm	Maximum diameter of housing shoulder
d_2	260,1 mm	Raceway diameter of the inner ring
d_s	9,5 mm	Diameter lubrication hole
$r_{a \max}$	3 mm	Maximum recess radius
$d_{b \min}$	233 mm	Minimum cavity diameter of the sleeve
n_s	17,7 mm	Width of lubricating groove
$B_{a \min}$	22 mm	Minimum cavity width of the sleeve

Additional information

H3144X	Adapter sleeve
AH2244	Withdrawal sleeve

Calculation factors

e	0,26	Limiting value of Fa/Fr for the applicability of diff. Values of factors X and Y
Y ₁	2,57	Dynamic axial load factor
Y ₂	3,83	Dynamic axial load factor
Y ₀	2,52	Static axial load factor

Temperature range

T _{min}	-30 °C	Operating temperature min.
T _{max}	200 °C	Operating temperature max.