



FAG

★ 22222-E1-XL

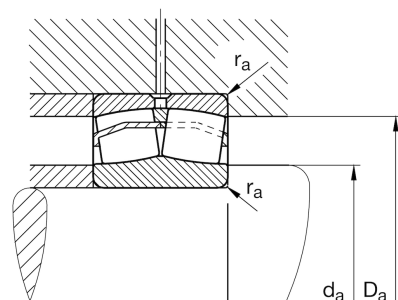
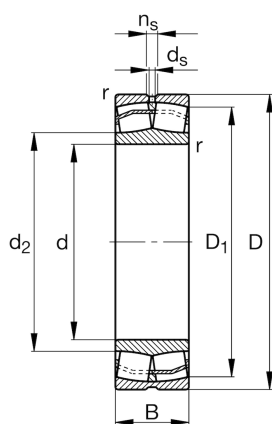
Spherical roller bearing

Schaeffler ID:
0190004640000Spherical roller bearings 222...-E1, main
dimensions to DIN 635-2

★ Preferred product

X-life

Technical information



Main Dimensions & Performance Data

d	110 mm	Bore diameter
D	200 mm	Outside diameter
B	53 mm	Width
C _r	550.000 N	Basic dynamic load rating, radial
C _{0r}	600.000 N	Basic static load rating, radial
C _{ur}	64.000 N	Fatigue load limit, radial
n _G	4.100 1/min	Limiting speed
n _{gr}	3.000 1/min	Reference speed
	7,075 kg	Weight

Additional information

r _{min}	2,1 mm	Minimum chamfer dimension
D ₁	178,7 mm	Bore diameter outer ring
d ₂	129,4 mm	Raceway diameter of the inner ring
d _s	4,8 mm	Diameter lubrication hole
n _s	9,5 mm	Width of lubricating groove

Mounting dimensions

d _{a min}	122 mm	Minimum diameter shaft shoulder
D _{a max}	188 mm	Maximum diameter of housing shoulder
r _{a max}	2,1 mm	Maximum recess radius

Calculation factors

e	0,25	Limiting value of Fa/Fr for the applicability of diff. Values of factors X and Y
Y ₁	2,71	Dynamic axial load factor
Y ₂	4,04	Dynamic axial load factor
Y ₀	2,65	Static axial load factor

Temperature range

T _{min}	-30 °C	Operating temperature min.
T _{max}	200 °C	Operating temperature max.