



FAG

★ 22219-E1-XL

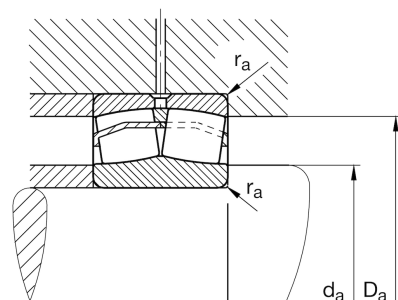
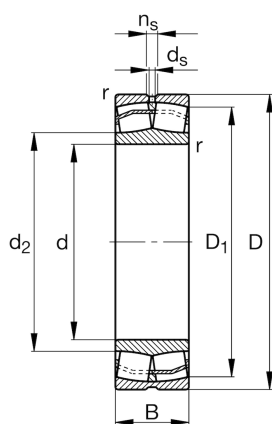
Spherical roller bearing

Schaeffler ID:
0190004300000Spherical roller bearings 222...-E1, main
dimensions to DIN 635-2

★ Preferred product

X-life

Technical information



Main Dimensions & Performance Data

d	95 mm	Bore diameter
D	170 mm	Outside diameter
B	43 mm	Width
C_r	380.000 N	Basic dynamic load rating, radial
C_{0r}	415.000 N	Basic static load rating, radial
C_{ur}	48.500 N	Fatigue load limit, radial
n_G	4.850 1/min	Limiting speed
n_{gr}	3.300 1/min	Reference speed
	4,044 kg	Weight

Additional information

r_{min}	2,1 mm	Minimum chamfer dimension
D_1	152,7 mm	Bore diameter outer ring
d_2	112,6 mm	Raceway diameter of the inner ring
d_s	4,8 mm	Diameter lubrication hole
n_s	9,5 mm	Width of lubricating groove

Mounting dimensions

$d_{a min}$	107 mm	Minimum diameter shaft shoulder
$D_{a max}$	158 mm	Maximum diameter of housing shoulder
$r_{a max}$	2,1 mm	Maximum recess radius

Calculation factors

e	0,24	Limiting value of F_a/F_r for the applicability of diff. Values of factors X and Y
Y_1	2,87	Dynamic axial load factor
Y_2	4,27	Dynamic axial load factor
Y_0	2,8	Static axial load factor

Temperature range

T _{min}	-30 °C	Operating temperature min.
T _{max}	200 °C	Operating temperature max.