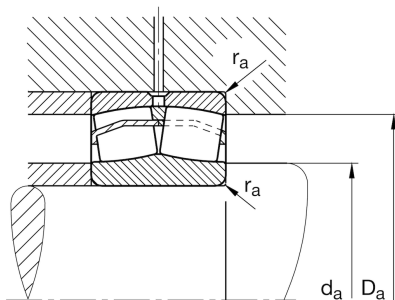
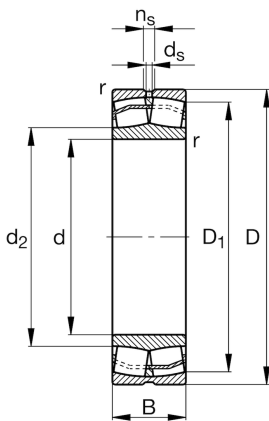
**22215-E1-XL**

Spherical roller bearing

Schaeffler ID:  
0167038800000Spherical roller bearings 222...-E1, main  
dimensions to DIN 635-2

## Technical information

**Main Dimensions & Performance Data**

d	75 mm	Bore diameter
D	130 mm	Outside diameter
B	31 mm	Width
$C_r$	216.000 N	Basic dynamic load rating, radial
$C_{0r}$	237.000 N	Basic static load rating, radial
$C_{ur}$	30.500 N	Fatigue load limit, radial
$n_G$	6.500 1/min	Limiting speed
$n_{gr}$	3.700 1/min	Reference speed
	1,668 kg	Weight

**Mounting dimensions**

$d_{a \min}$	84 mm	Minimum diameter shaft shoulder
$D_{a \max}$	121 mm	Maximum diameter of housing shoulder
$r_{a \max}$	1,5 mm	Maximum recess radius

**Dimensions**

e	0,22	Limiting value of $F_a/F_r$ for the applicability of diff. Values of factors X and Y
$r_{\min}$	1,5 mm	Minimum chamfer dimension
$D_1$	117,7 mm	Bore diameter outer ring
$Y_1$	3,1	Dynamic axial load factor
$Y_2$	4,62	Dynamic axial load factor
$d_2$	89,8 mm	Raceway diameter of the inner ring
$d_s$	3,2 mm	Diameter lubrication hole
$Y_0$	3,03	Static axial load factor
$n_s$	6,5 mm	Width of lubricating groove

**Temperature range**

T <sub>min</sub>	-30 °C	Operating temperature min.
T <sub>max</sub>	200 °C	Operating temperature max.