



FAG

★ 22209-E1-XL

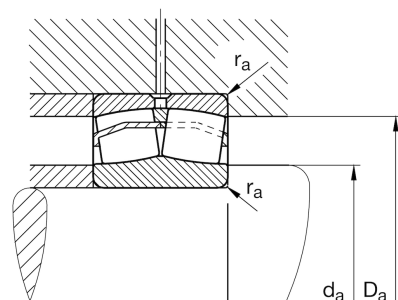
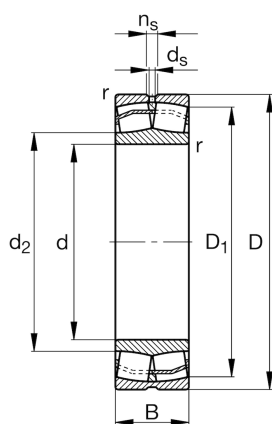
Spherical roller bearing

Schaeffler ID:
0167034480000Spherical roller bearings 222...-E1, main
dimensions to DIN 635-2

★ Preferred product

X-life

Technical information



Temperature range

T_{\min}	-30 °C	Operating temperature min.
T_{\max}	200 °C	Operating temperature max.
	0,562 kg	Weight

Main Dimensions & Performance Data

d	45 mm	Bore diameter
D	85 mm	Outside diameter
B	23 mm	Width
C_r	104.000 N	Basic dynamic load rating, radial
C_{0r}	99.000 N	Basic static load rating, radial
C_{ur}	13.000 N	Fatigue load limit, radial
n_G	10.100 1/min	Limiting speed
n_{gr}	5.600 1/min	Reference speed

Dimensions

r_{\min}	1,1 mm	Minimum chamfer dimension
D_1	75,6 mm	Bore diameter outer ring
d_2	55 mm	Raceway diameter of the inner ring
d_s	3,2 mm	Diameter lubrication hole
n_s	4,8 mm	Width of lubricating groove

Mounting dimensions

$d_{a \min}$	52 mm	Minimum diameter shaft shoulder
$D_{a \max}$	78 mm	Maximum diameter of housing shoulder
$r_{a \max}$	1 mm	Maximum recess radius

Additional information

e	0,25	Limiting value of Fa/Fr for the applicability of diff. Values of factors X and Y
Y ₁	2,74	Dynamic axial load factor
Y ₂	4,08	Dynamic axial load factor
Y ₀	2,68	Static axial load factor