



FAG

★ 21306-E1-XL-TVPB

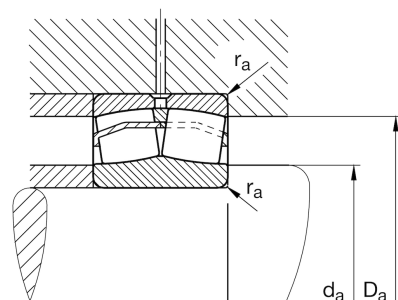
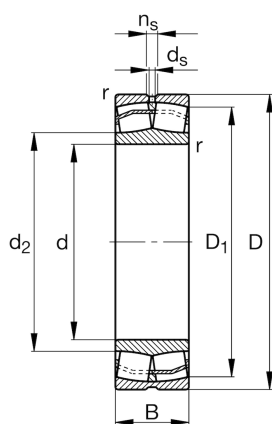
Spherical roller bearing

Schaeffler ID:
0167022390000Spherical roller bearings 213...E1, main
dimensions to DIN 635-2

★ Preferred product

X-life

Technical information



Main Dimensions & Performance Data

d	30 mm	Bore diameter
D	72 mm	Outside diameter
B	19 mm	Width
C_r	72.000 N	Basic dynamic load rating, radial
C_{0r}	63.000 N	Basic static load rating, radial
C_{ur}	7.200 N	Fatigue load limit, radial
n_G	12.000 1/min	Limiting speed
n_{gr}	7.300 1/min	Reference speed
	0,381 kg	Weight

Additional information

r_{min}	1,1 mm	Minimum chamfer dimension
D_1	59,9 mm	Bore diameter outer ring
d_2	41,5 mm	Raceway diameter of the inner ring

Mounting dimensions

$d_{a min}$	37 mm	Minimum diameter shaft shoulder
$D_{a max}$	65 mm	Maximum diameter of housing shoulder
$r_{a max}$	1 mm	Maximum recess radius

Calculation factors

e	0,27	Limiting value of F_a/F_r for the applicability of diff. Values of factors X and Y
Y_1	2,49	Dynamic axial load factor
Y_2	3,71	Dynamic axial load factor
Y_0	2,43	Static axial load factor

Temperature range

T _{min}	-30 °C	Operating temperature min.
T _{max}	120 °C	Operating temperature max.