

FAG

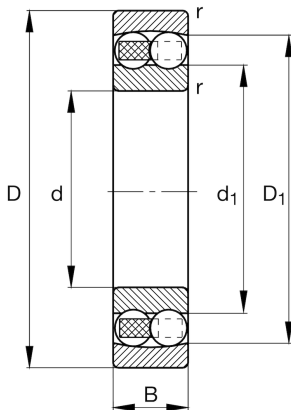
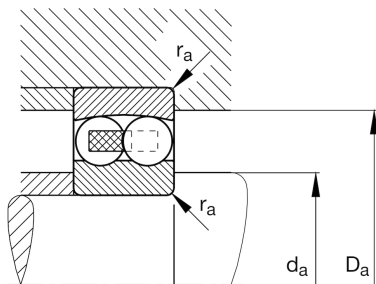
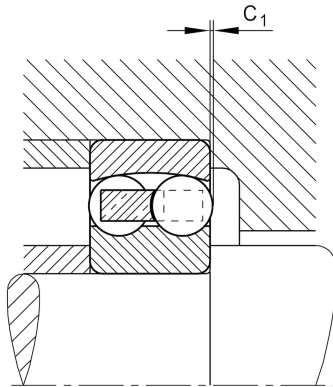
★ 1220-M

Self-aligning ball bearing

Schaeffler ID:
0167005540000Self-aligning ball bearing 12..-M, solid
brass cage

★ Preferred product

Technical information



Main Dimensions & Performance Data

d	100 mm	Bore diameter
D	180 mm	Outside diameter
B	34 mm	Width
r_{\min}	2,1 mm	Minimum chamfer dimension
C_r	70.000 N	Basic dynamic load rating, radial
C_{0r}	29.500 N	Basic static load rating, radial
C_{ur}	1.590 N	Fatigue load limit, radial
n_G	6.000 1/min	Limiting speed
n_{gr}	4.500 1/min	Reference speed
	3,606 kg	Weight

Dimensions

D_1	155,2 mm	Shoulder diameter outer ring
d_1	127,3 mm	Shoulder diameter inner ring

Mounting dimensions

$d_{a\min}$	112 mm	Minimum diameter shaft shoulder
$D_{a\max}$	168 mm	Maximum diameter of housing shoulder
$r_{a\max}$	2,1 mm	Maximum fillet radius

Calculation factors

e	0,18	Limiting value of F_a/F_r for the applicability of diff. Values of factors X and Y
Y_1	3,58	Dynamic axial load factor
Y_2	5,53	Dynamic axial load factor
Y_0	3,75	Static axial load factor

Temperature range

T_{\min}	-30 °C	Operating temperature min.
T_{\max}	150 °C	Operating temperature max.