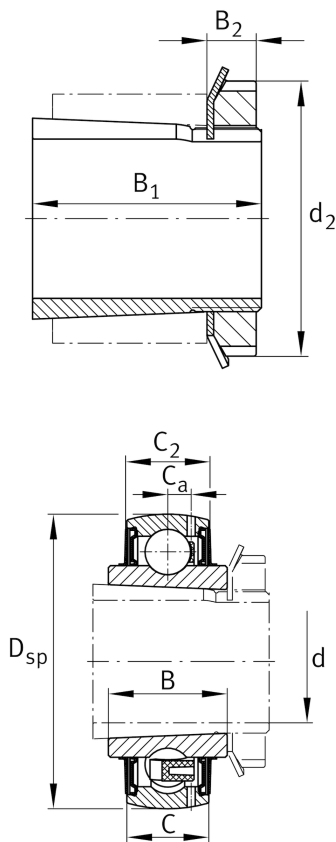


**FAG****UK213**

## Radial insert ball bearing

Radial insert ball bearings UK, spherical outer ring, location by adapter sleeve, RSR seals on both sides

## Technical information

**Main Dimensions & Performance Data**

d	60 mm	Bore diameter
D <sub>SP</sub>	120 mm	Outside diameter
B	41 mm	Width
C <sub>ur</sub>	2.090 N	Fatigue load limit, radial
B <sub>1</sub>	65 mm	Locking collar total width
C <sub>r</sub>	61.000 N	Basic dynamic load rating, radial
C <sub>0r</sub>	40.000 N	Basic static load rating, radial
≈m	1,88 kg	Weight

**Dimensions**

C	28 mm	Width, outer ring
C <sub>2</sub>	29,4 mm	Sealing total width
C <sub>a</sub>	8,2 mm	Distance to lubrication hole
d <sub>3</sub>	85 mm	Outside diameter locking collar/locknut
B <sub>2</sub>	14 mm	Width nut and lock

**Temperature range**

T <sub>min</sub>	-20 °C	Operating temperature min.
T <sub>max</sub>	100 °C	Operating temperature max.

**Calculation factors**

f <sub>0</sub>	14,4	Calculation factor
----------------	------	--------------------

**Additional information**

H2313-J30QH	Adapter sleeve
KM13	Locknut
MB13	Fuse
H.H2313	Sleeve