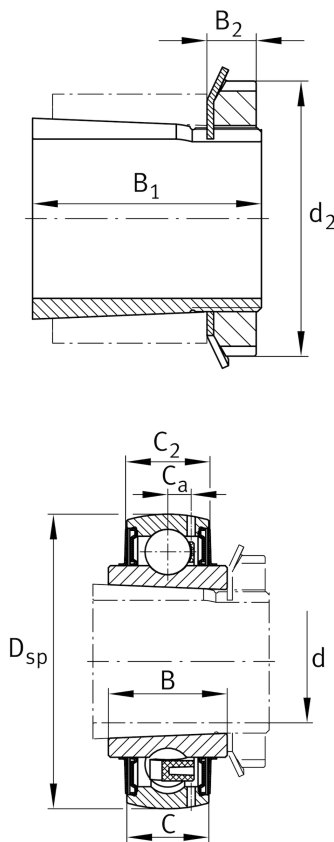


**FAG****UK212**

Radial insert ball bearing

Radial insert ball bearings UK, spherical outer ring, location by adapter sleeve, RSR seals on both sides

Technical information

**Main Dimensions & Performance Data**

| | | |
|-----------------|----------|-----------------------------------|
| d | 55 mm | Bore diameter |
| D _{SP} | 110 mm | Outside diameter |
| B | 40 mm | Width |
| C _{ur} | 1.870 N | Fatigue load limit, radial |
| B ₁ | 62 mm | Locking collar total width |
| C _r | 56.000 N | Basic dynamic load rating, radial |
| C _{0r} | 36.000 N | Basic static load rating, radial |
| ≈m | 1,58 kg | Weight |

Dimensions

| | | |
|----------------|---------|---|
| C | 27 mm | Width, outer ring |
| C ₂ | 27,6 mm | Sealing total width |
| C _a | 7,4 mm | Distance to lubrication hole |
| d ₃ | 80 mm | Outside diameter locking collar/locknut |
| B ₂ | 13 mm | Width nut and lock |

Temperature range

| | | |
|------------------|--------|----------------------------|
| T _{min} | -20 °C | Operating temperature min. |
| T _{max} | 100 °C | Operating temperature max. |

Calculation factors

| | | |
|----------------|------|--------------------|
| f ₀ | 14,3 | Calculation factor |
|----------------|------|--------------------|

Additional information

| | |
|-------------|----------------|
| H2312-J30QH | Adapter sleeve |
| KM12 | Locknut |
| MB12 | Fuse |
| H.H2312 | Sleeve |